

THE DISPLAY CHOICE
OF PROFESSIONALS™

www.agneovo.com

DS-55 Dual-Sided Display
User Manual

TABLE OF CONTENTS

Important Safety Instructions	1
1.1 Safety precautions and maintenance.....	1
1.2 Use.....	4
1.3 Installation Notes.....	7
Package Content	9
2.1 Unpacking.....	9
2.2 Accessories.....	10
2.3 Overview.....	11
Setting Up the Display	13
3.1 Step 1 : Putting the dual-sided display upside	13
3.2 Step 2 : Remove the three I/O covers on the sides	14
3.3 Step 3 : Remove the downside cover	15
3.4 Step 4 : Link power box to dual side display	16
3.5 Step 5 : Connect by HDMI connector	18
3.6 Step 6 : Reinstall the downside cover and I/O covers	19
3.7 Step 7 : Connect the power cord.....	20
3.8 Step 8 : Using the Remote Control	21
3.9 OSD Setting Menu.....	22
Trouble shooting	26
Specifications	27
Product Dimensions	28

Important Safety Instructions

1.1 Safety precautions and maintenance



WARNING:

Use of control, adjustments or procedures other than those specified in this documentation may result in exposure to shock, electrical hazards and/or mechanical hazards.

Read and follow these instructions when connecting and using your display:

Operation:

- Keep the display out of direct sunlight and away from stoves or any other heat sources.
- Remove any object that could fall into ventilation holes of power box or prevent proper cooling of the display's electronics.
- Don't block the ventilation holes on the power box.
- When positioning the display, make sure the power plug and outlet are easily accessible.
- When turning off the display by detaching the power cord, wait 6 seconds before re-attaching the power cord for normal operation.
- Ensure the use of an approved power cord provided by AUO at all times. If your power cord is missing, please contact your local service center.
- Don't subject the display to severe vibration or high impact conditions during operation.
- Don't knock or drop the display during operation or transportation.
- Provide an earthing connection before the mains plug is connected to the mains. And, when disconnecting the earthing connection, be sure to disconnect after pulling out the mains plug from the mains.

Important Safety Instructions

Maintenance:

- To protect your display from possible damage, do not put excessive pressure on the display.
- Unplug the display if you are not going to use it for an extensive period of time.
- Unplug the display if you need to clean it with a slightly damp cloth. The screen may be wiped with a dry cloth when the power is off. However, never use organic solvent, such as, alcohol, or ammonia-based liquids to clean your display.
- To avoid the risk of shock or permanent damage to the set, do not expose the display to dust, rain, water or an excessively moist environment.
- If your display becomes wet, wipe it with dry cloth as soon as possible.
- If a foreign substance or water gets in your display, turn the power off immediately and disconnect the power cord. Then remove the foreign substance or water.
- Don't store or use the display in locations exposed to heat, direct sunlight or extreme cold.

Important Safety Instructions

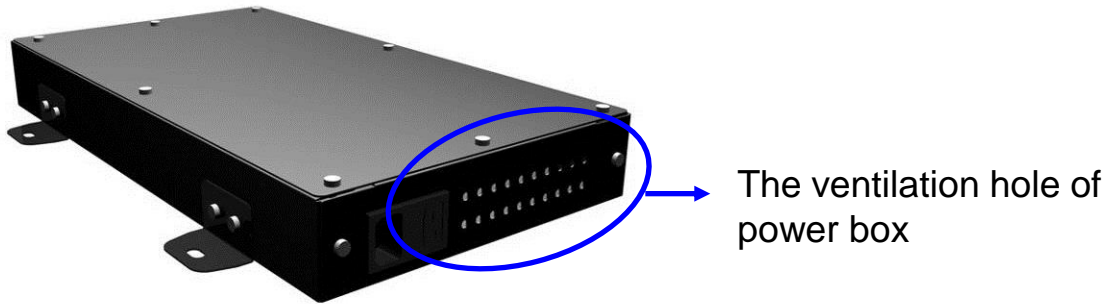
Read and follow these instructions when connecting and using your display:

- Unplug the display if you are not going to use it for an extensive period of time.
- Unplug the display if you need to clean it with a slightly damp cloth. The screen may be wiped with a dry cloth when the power is off. However, never use alcohol, solvents or ammonia-based liquids.
- Keep the display out of direct sunlight and away from stoves or any other heat sources.
- Remove any object that could fall into the vents or prevent proper cooling of the display's electronics.
- Don't block the ventilation holes on the power box.
- Keep the display dry. To avoid electric shock, do not expose it to rain or excessive moisture.
- When turning off the display by detaching the power cable or DC power cord, wait for 6 seconds before re-attaching the power cable or DC power cord for normal operation.
- When positioning the display, make sure the power plug and outlet are easily accessible.
- Consult a service technician if the display does not operate normally after having followed the instructions in this manual.

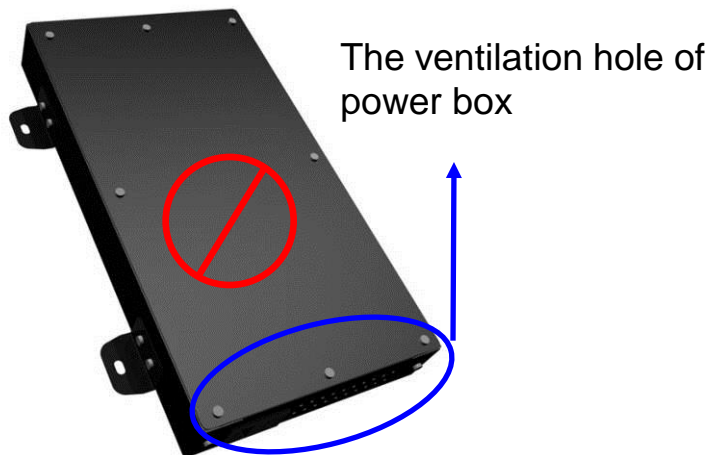
Important Safety Instructions

1.2 Use

- **Don't turn the ventilation hole of Power Box upside down. As shown in the picture below.**



It is prohibited to turn the ventilation hole of Power Box upside down.



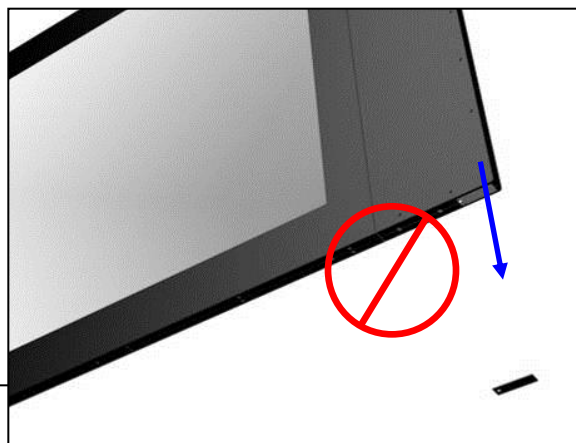
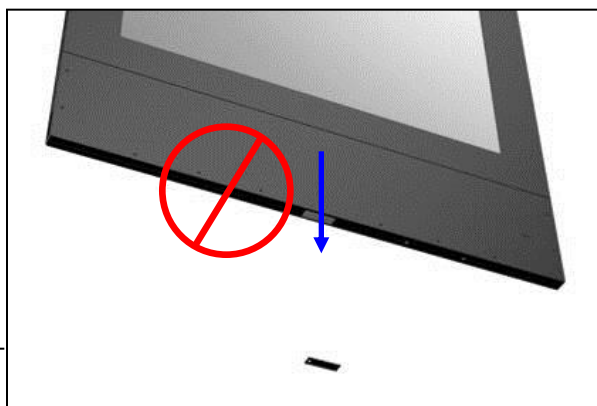
It is prohibited to place tilt

Important Safety Instructions

- When you install the display, please don't use the "bottom side" I/O hole and open the I/O cover . As shown in the picture below.



The "bottom side" I/O cover can't be opened.



Important Safety Instructions

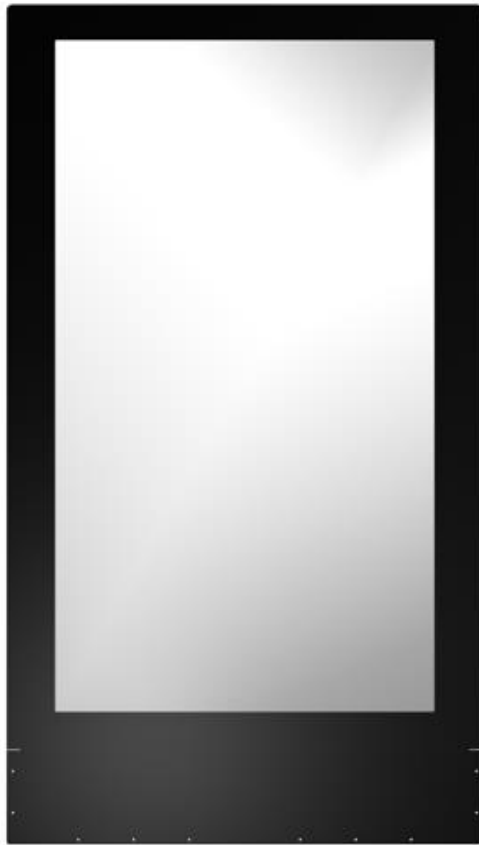
Remote Controller Precautions:

- This product requires remote switch (ON/OFF) from Front Side ; the Back Side only has OSD function operated by remote controller.

Front Side (450 nits)



Back Side (450 nits)



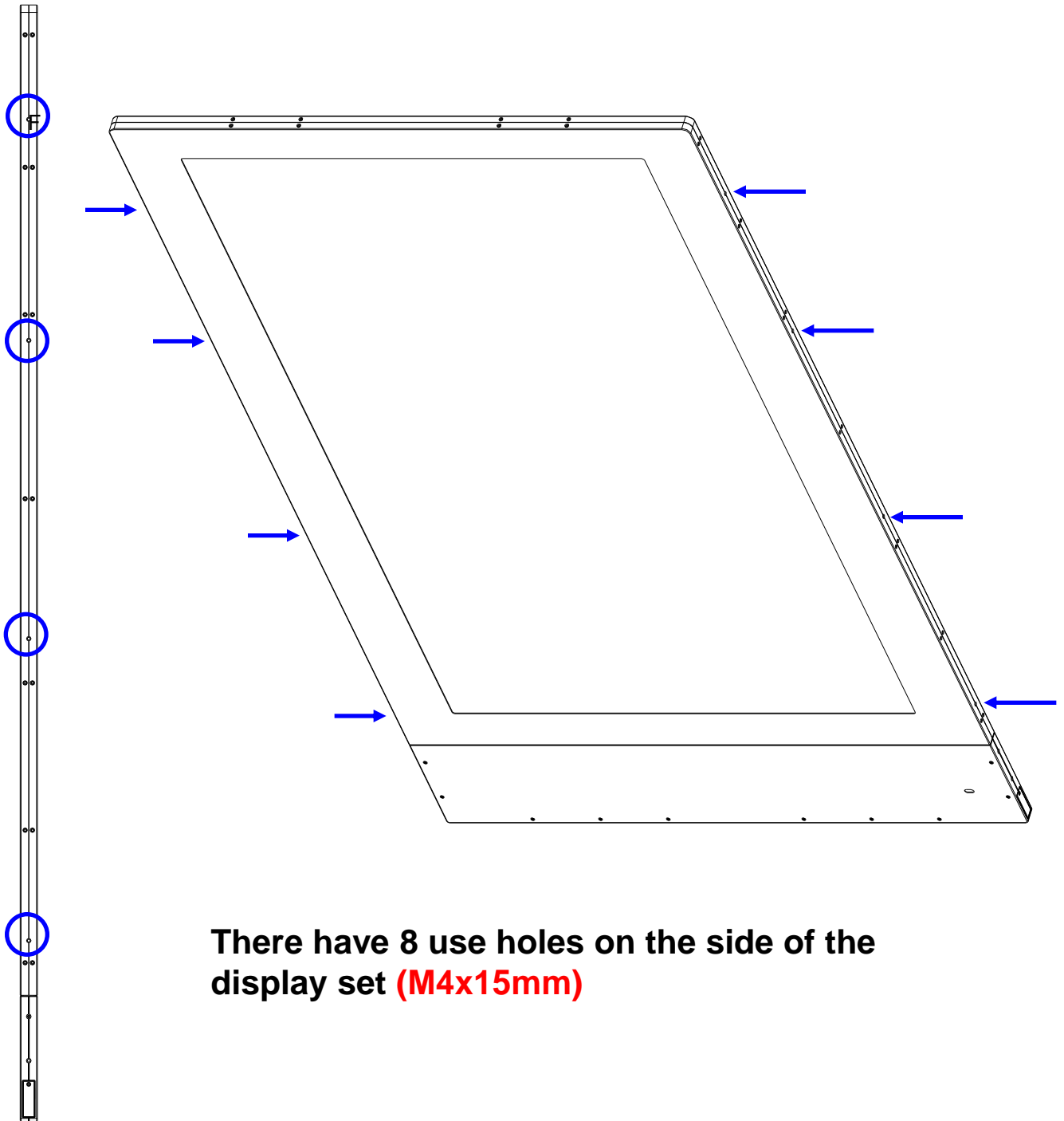
The Front Side have a product label.

Disconnect devices:

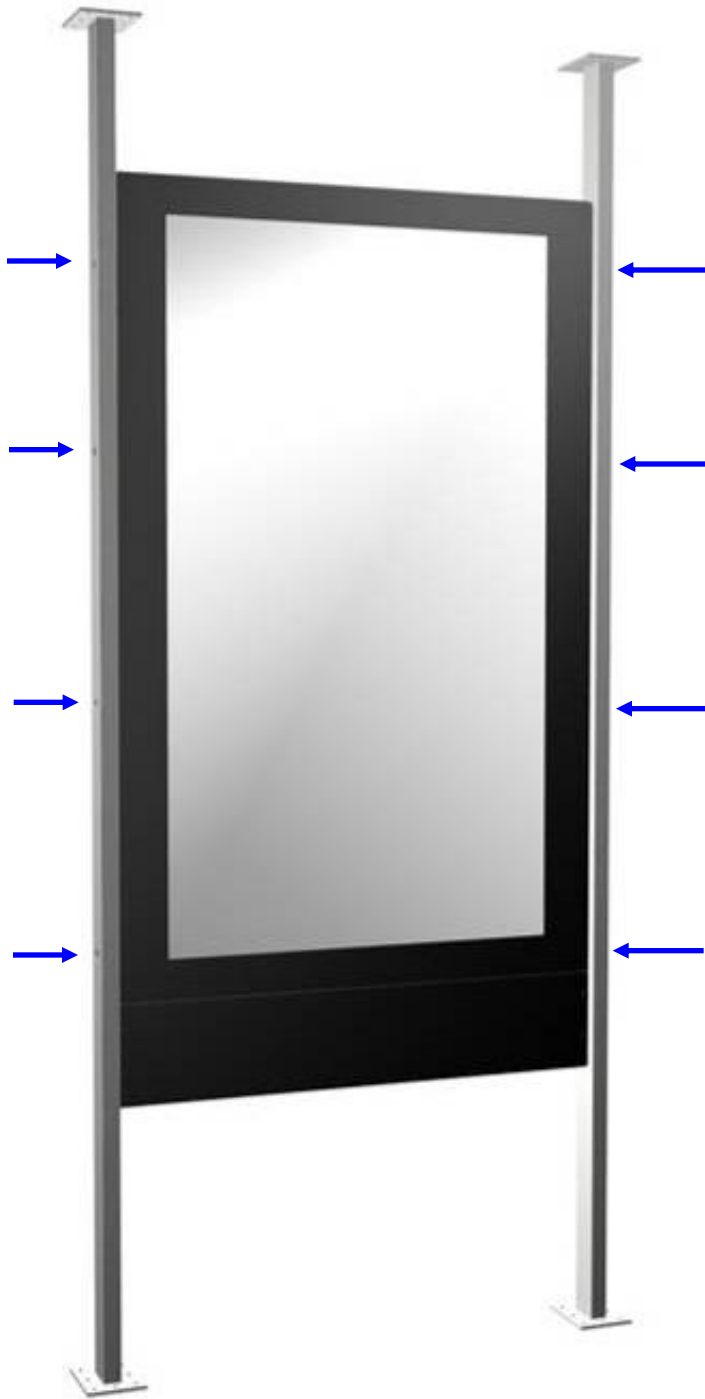
- For pluggable equipment, the socket-outlet shall be installed near the equipment and shall be easily accessible.

Important Safety Instructions

1.3 Installation Notes



Important Safety Instructions



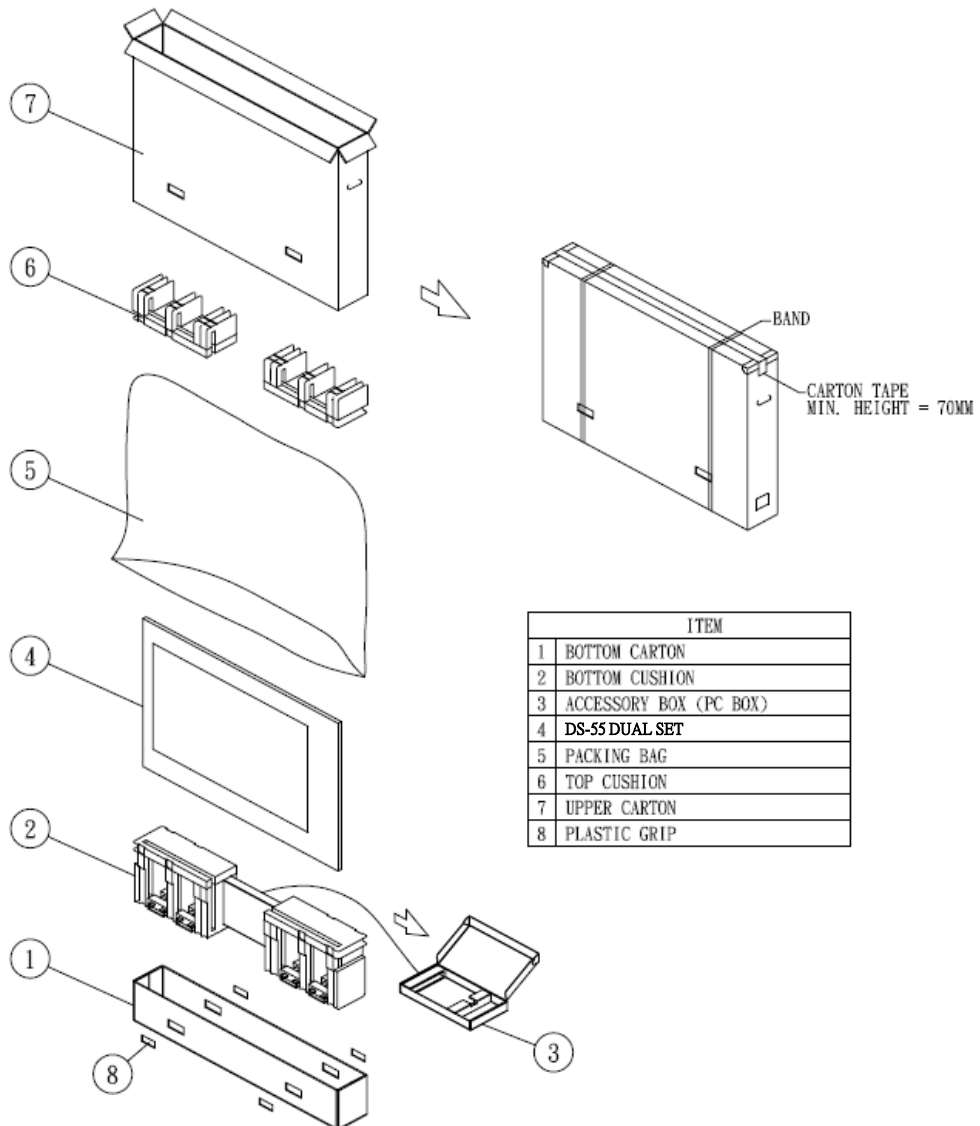
Please make sure you have a solid installation. As shown in the picture.

**You can install the display set by screws x 8
(M4x15mm)**

Package Content

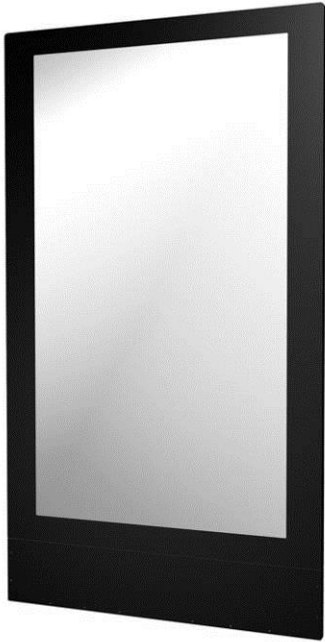
2.1 Unpacking

- This product is packed in a carton, together with the standard accessories.
- Due to the size and weight of this display it is recommended for two people to move it.
- After opening the carton, ensure that the contents are complete and in good condition.



Package Content

2.2 Accessories



Dual Side Display x1



**PC Box x1
(with 24V&12V line)**



Power Cord x1



**Remote Controller x1
(Battery : CR 2025 3V)**

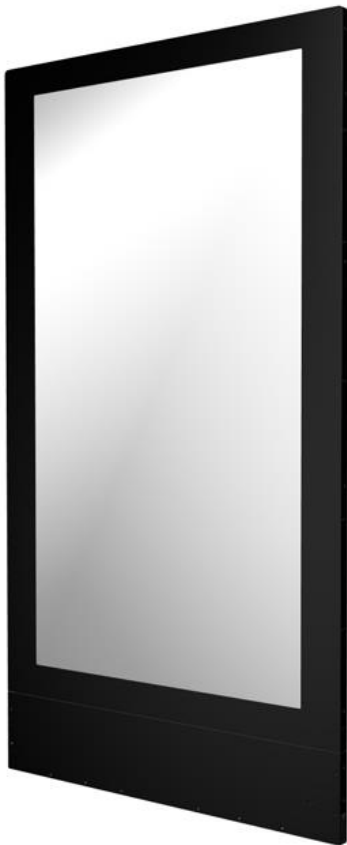
Package Content

2.3 Over View

Top View



Diagonal View



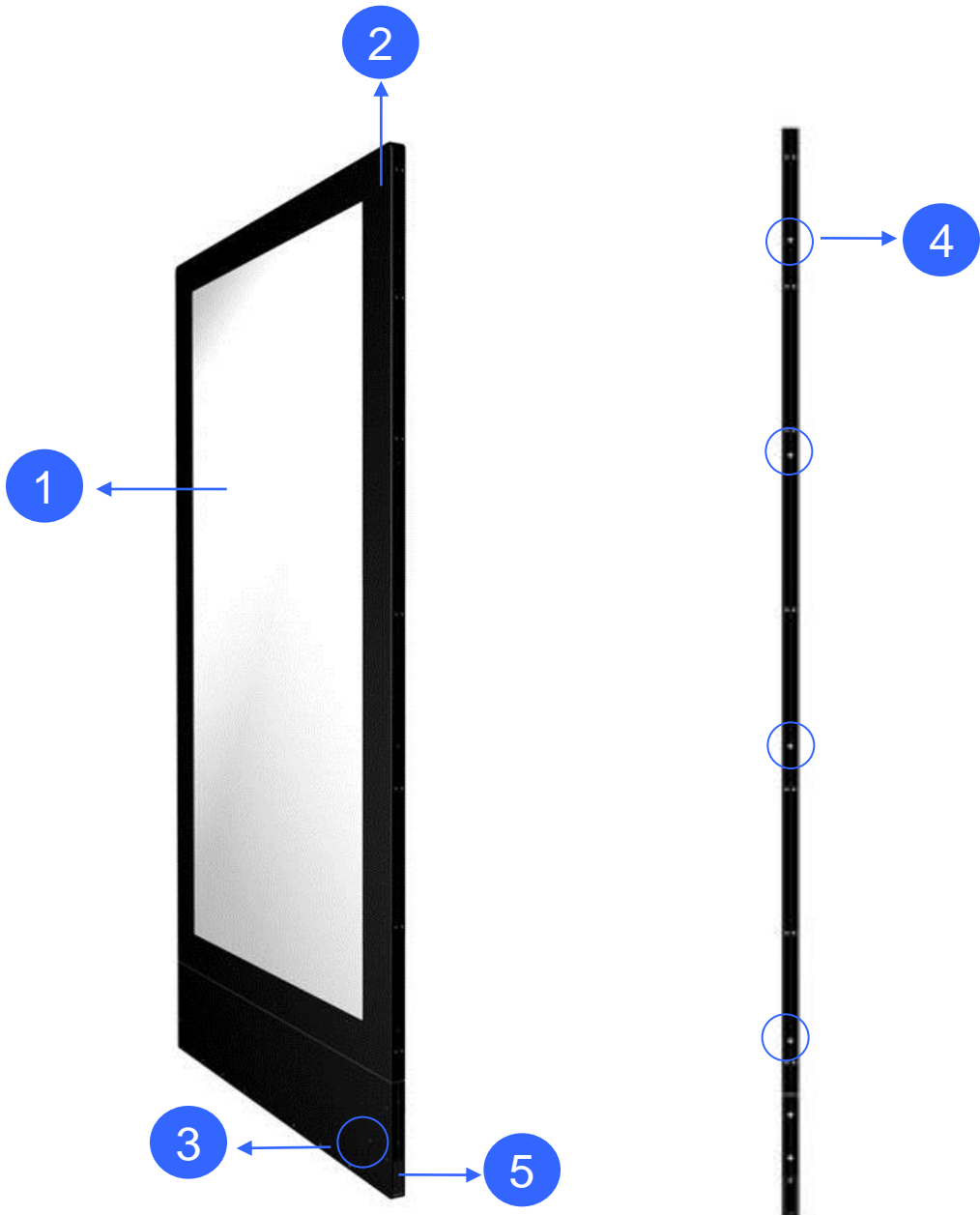
Front View



Side View



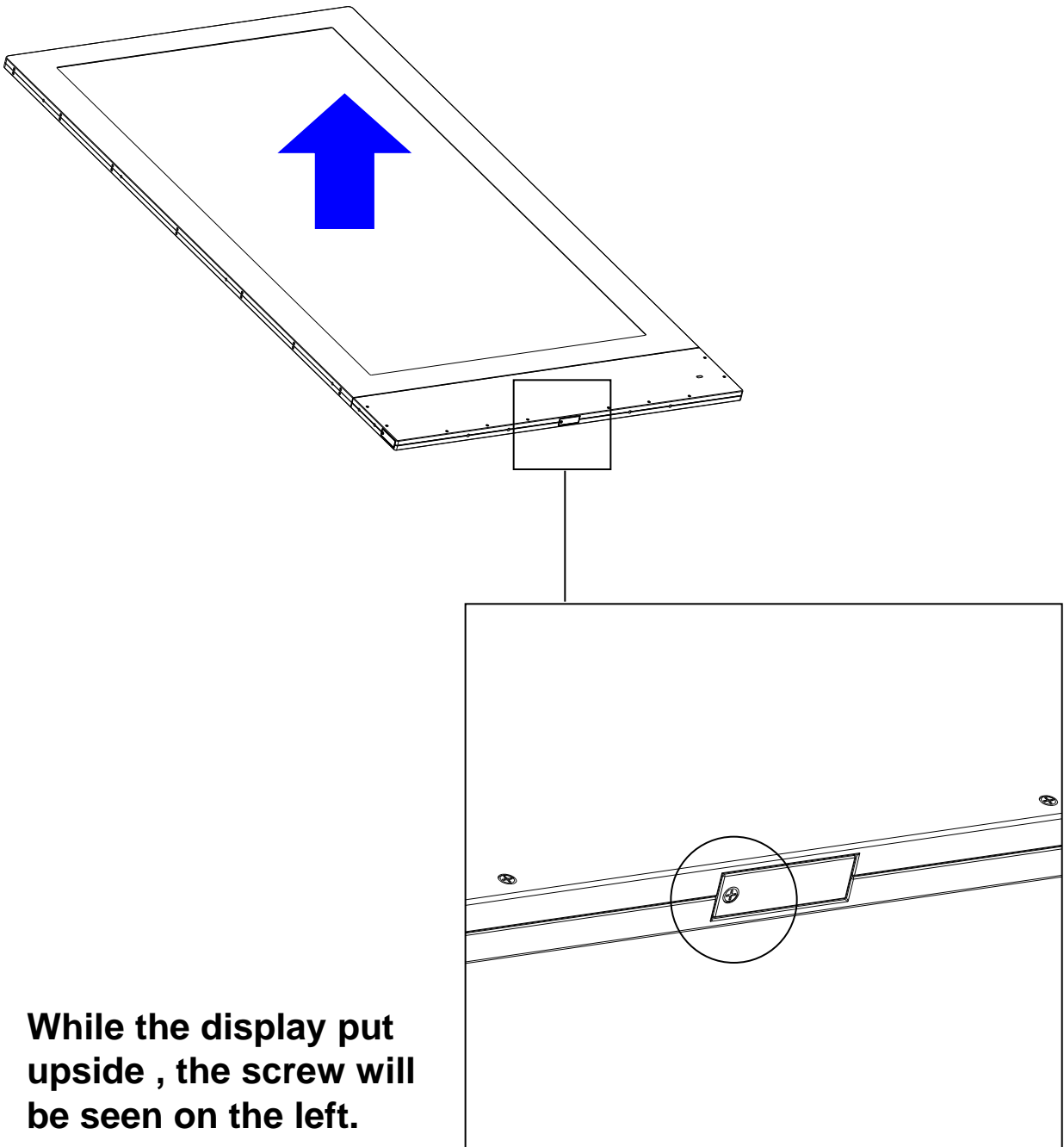
Package Content



1. Display (Dual-sided)
2. Display Set
3. Remote control sensor (Dual-sided)
4. Use hole x 8 (single side have 4)
5. I/O cover x 3

Setting Up The Display

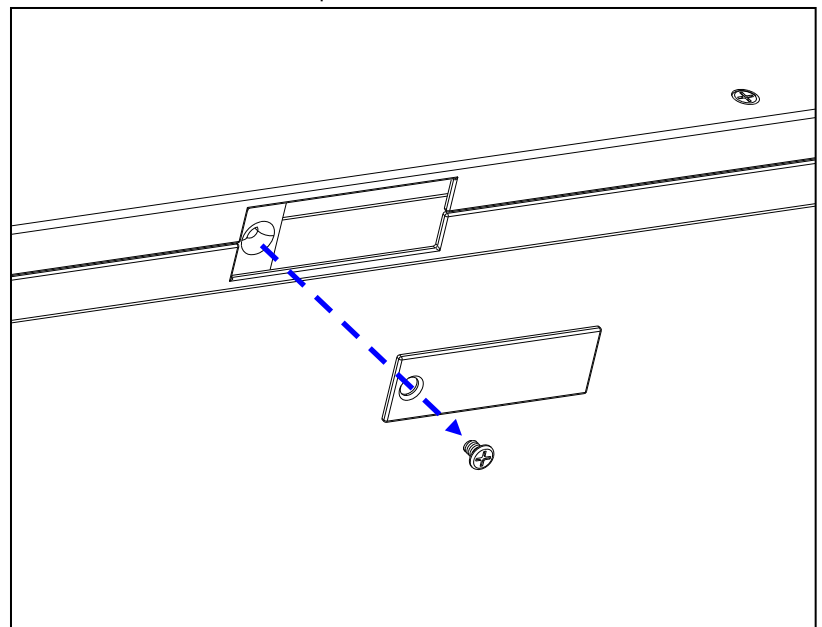
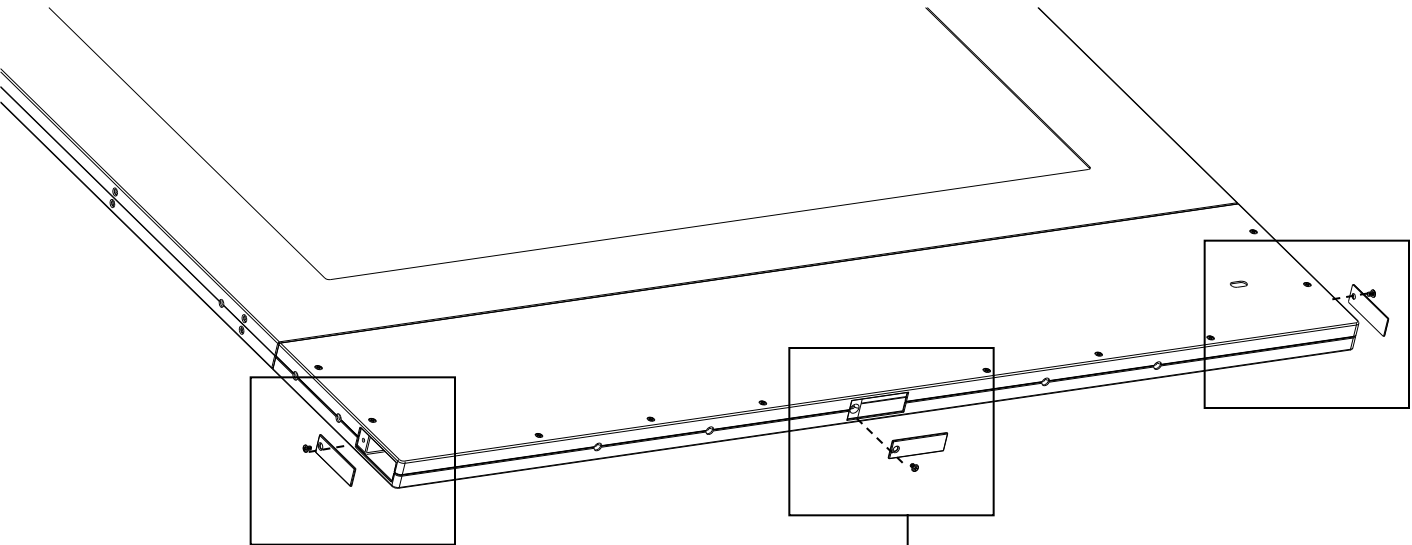
3.1 Step 1 : Putting the dual-sided display upside



While the display put upside , the screw will be seen on the left.

Setting Up The Display

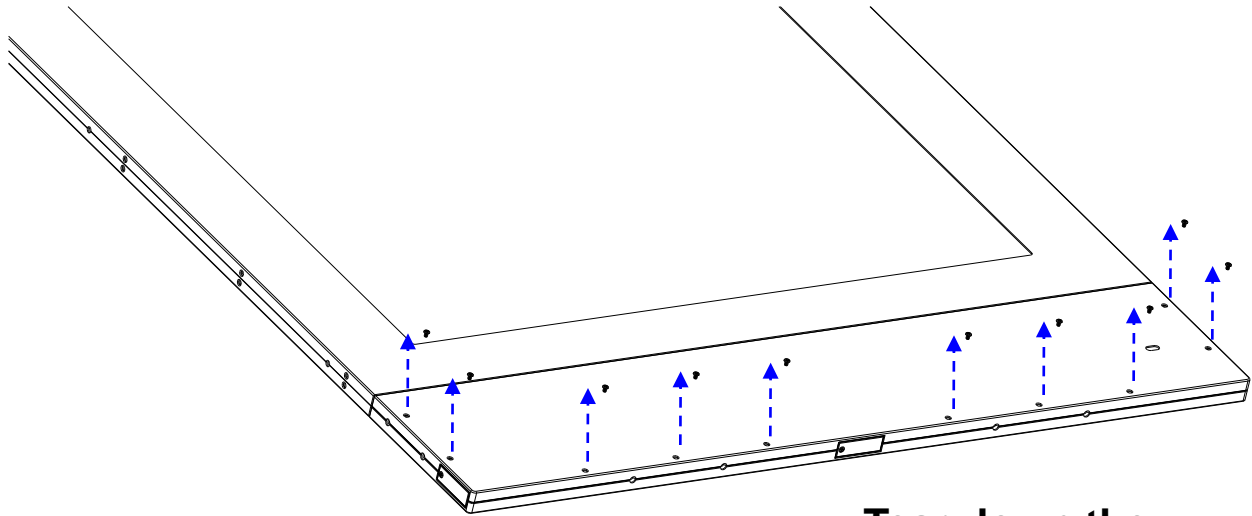
3.2 Step 2 : Remove the three I/O covers on the sides



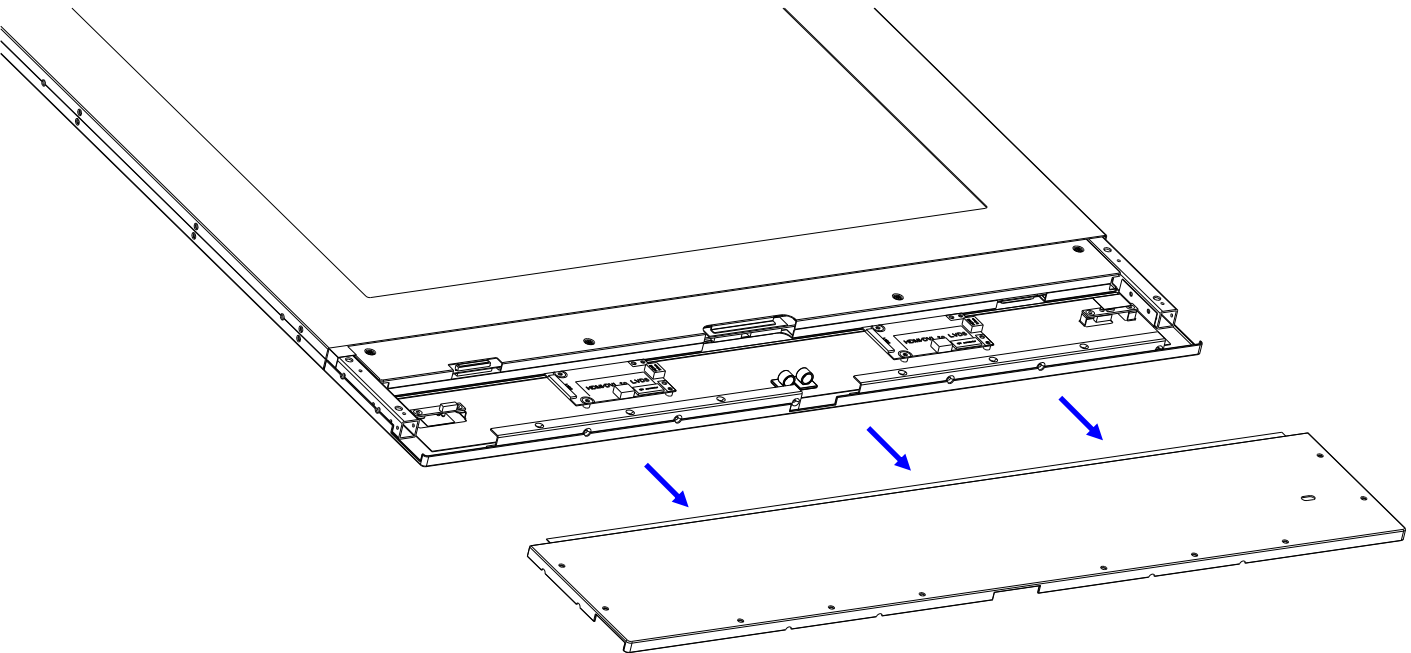
Remove I/O cover
screws x 3 (M3x6mm)

Setting Up The Display

3.3 Step 3 : Remove the downside cover

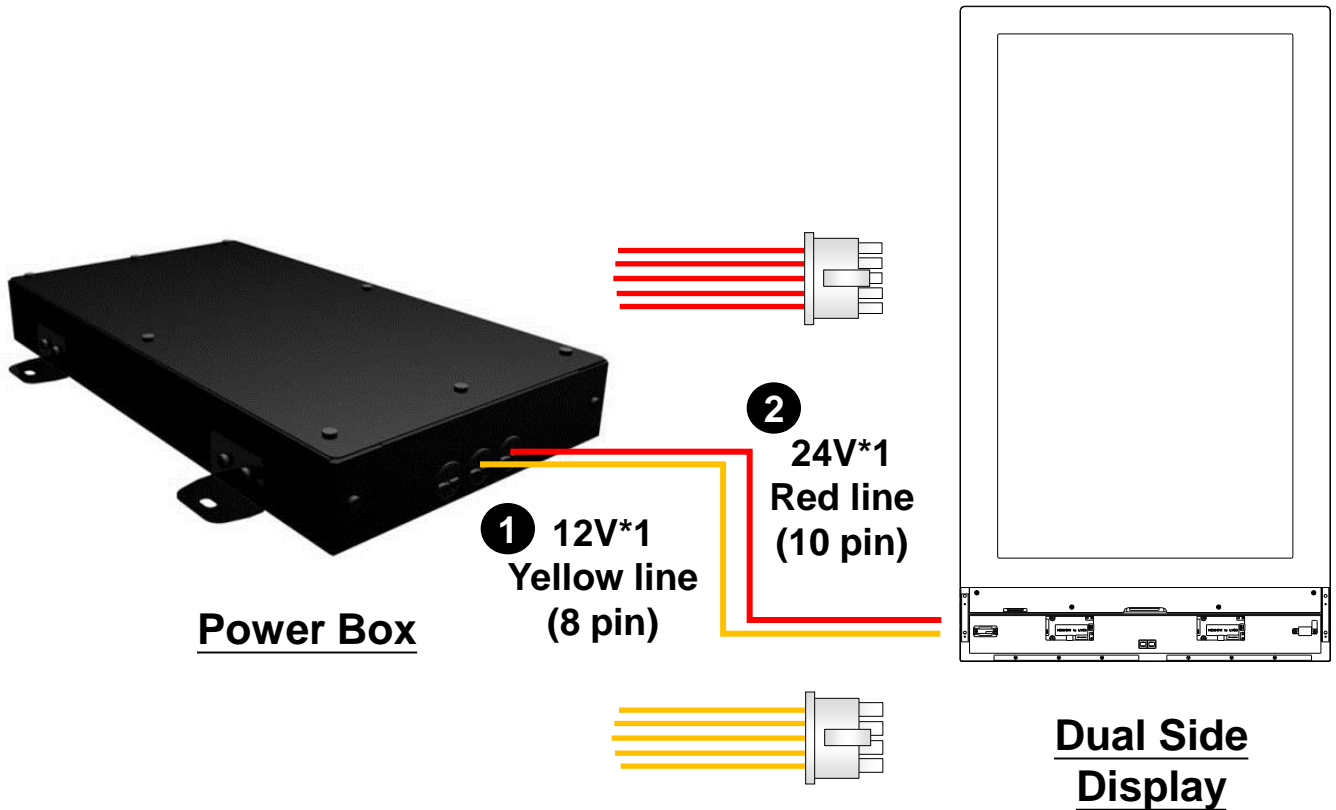


**Tear down the downside cover.
screws x 10 (M3x6mm)**



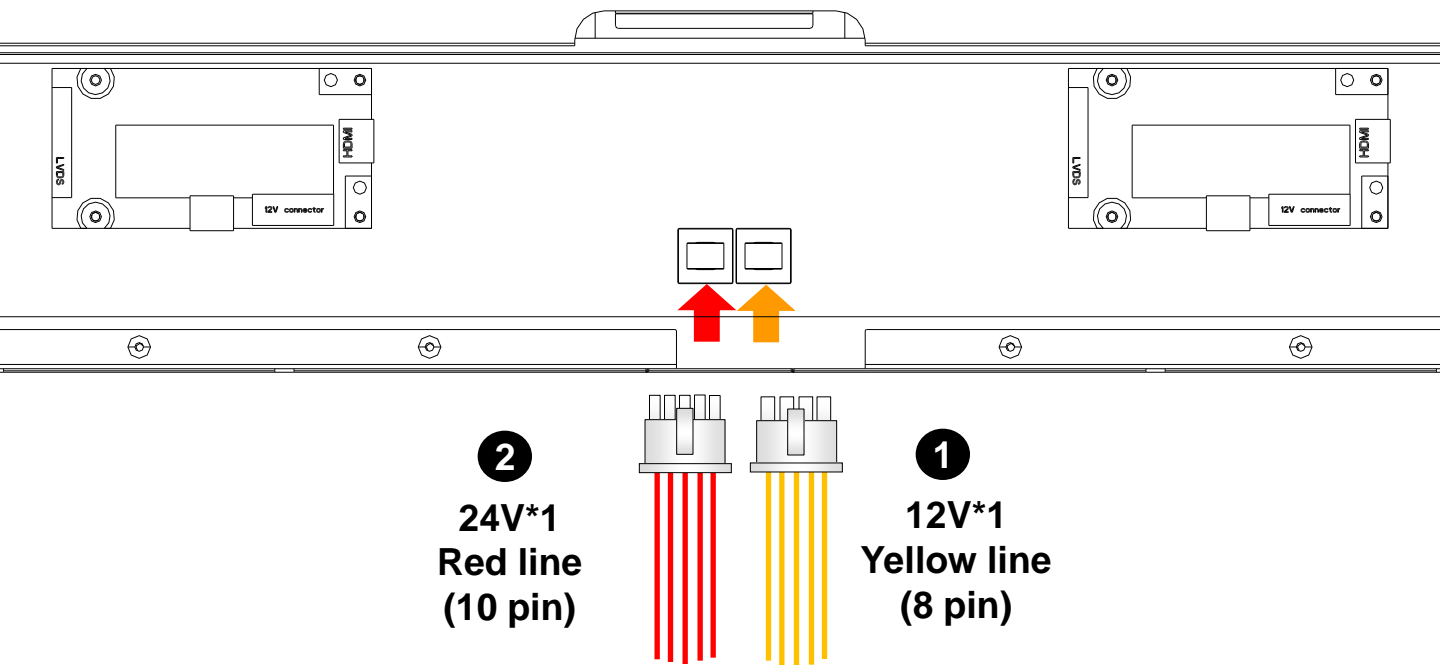
Setting Up The Display

3.4 Step 4 : Connect Power Box to Dual Side Display



Setting Up The Display

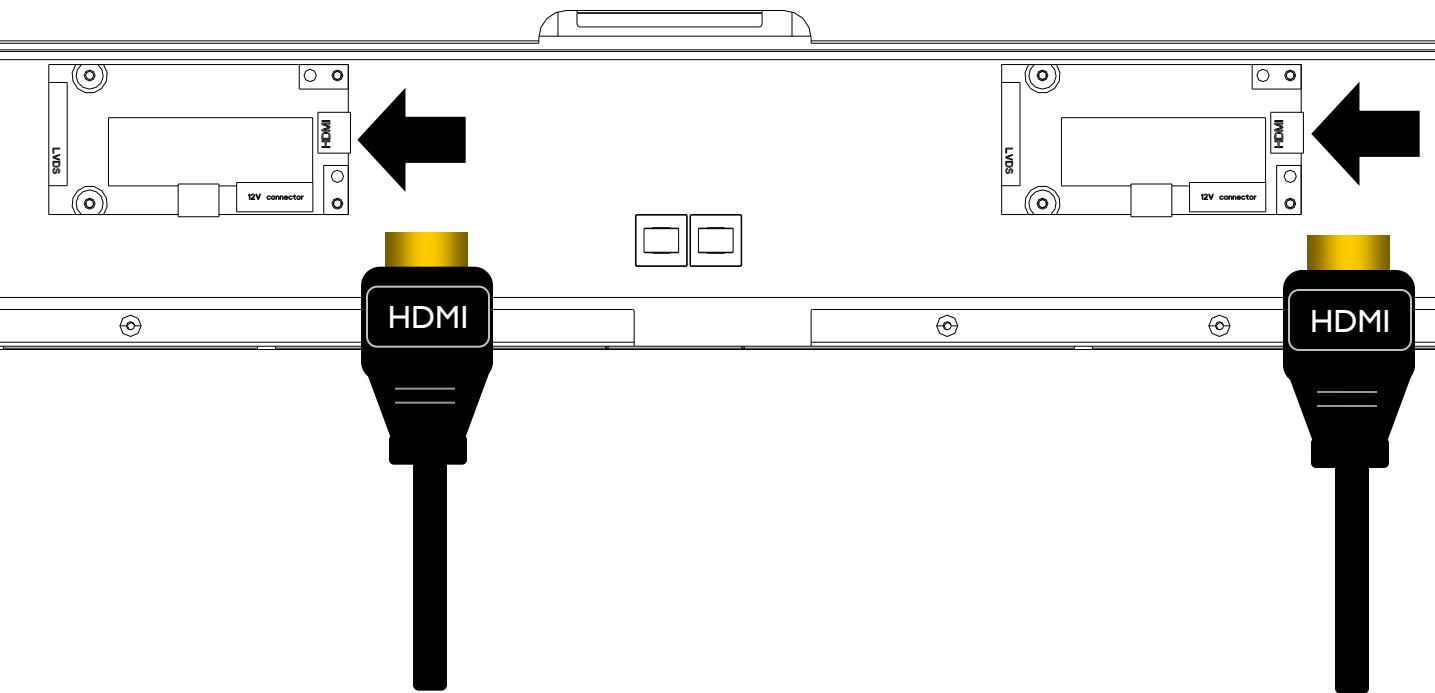
- 1 Connect the 12V (8 pin) power line
- 2 Connect the 24V (10 pin) power line



Setting Up The Display

3.5 Step 5 : Connect by HDMI connector

**Plug two HDMI cables into the cabinet.
And ensure that all cable plugs are firmly fitted to
the equipment jacks.**

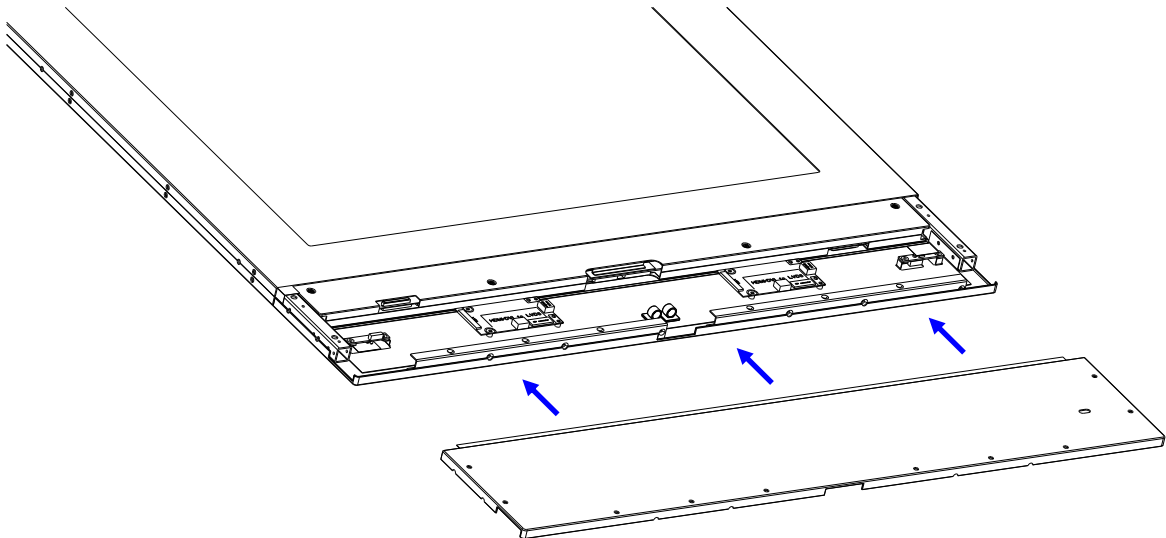


Front Side (450 nits)

Back Side (450 nits)

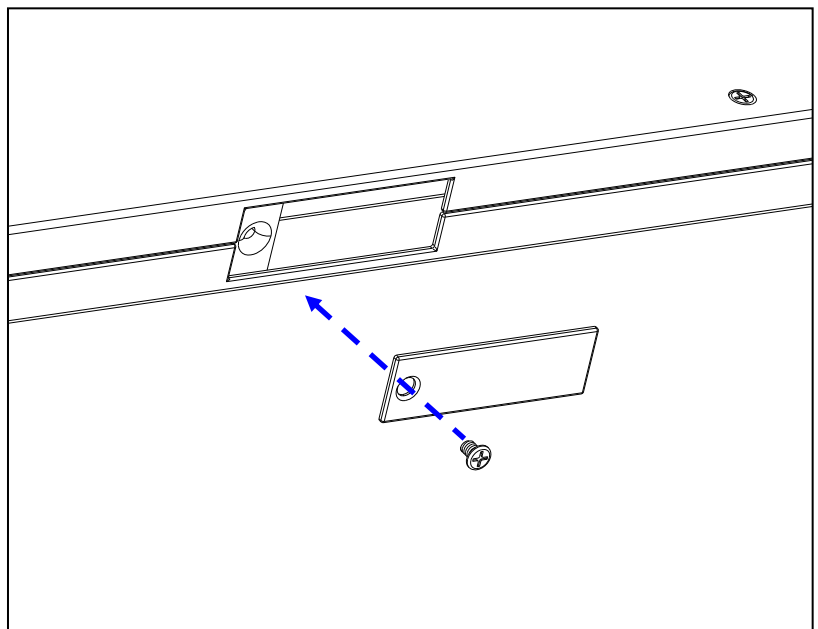
Setting Up The Display

3.6 Step 6 : Reinstall the downside cover and I/O covers



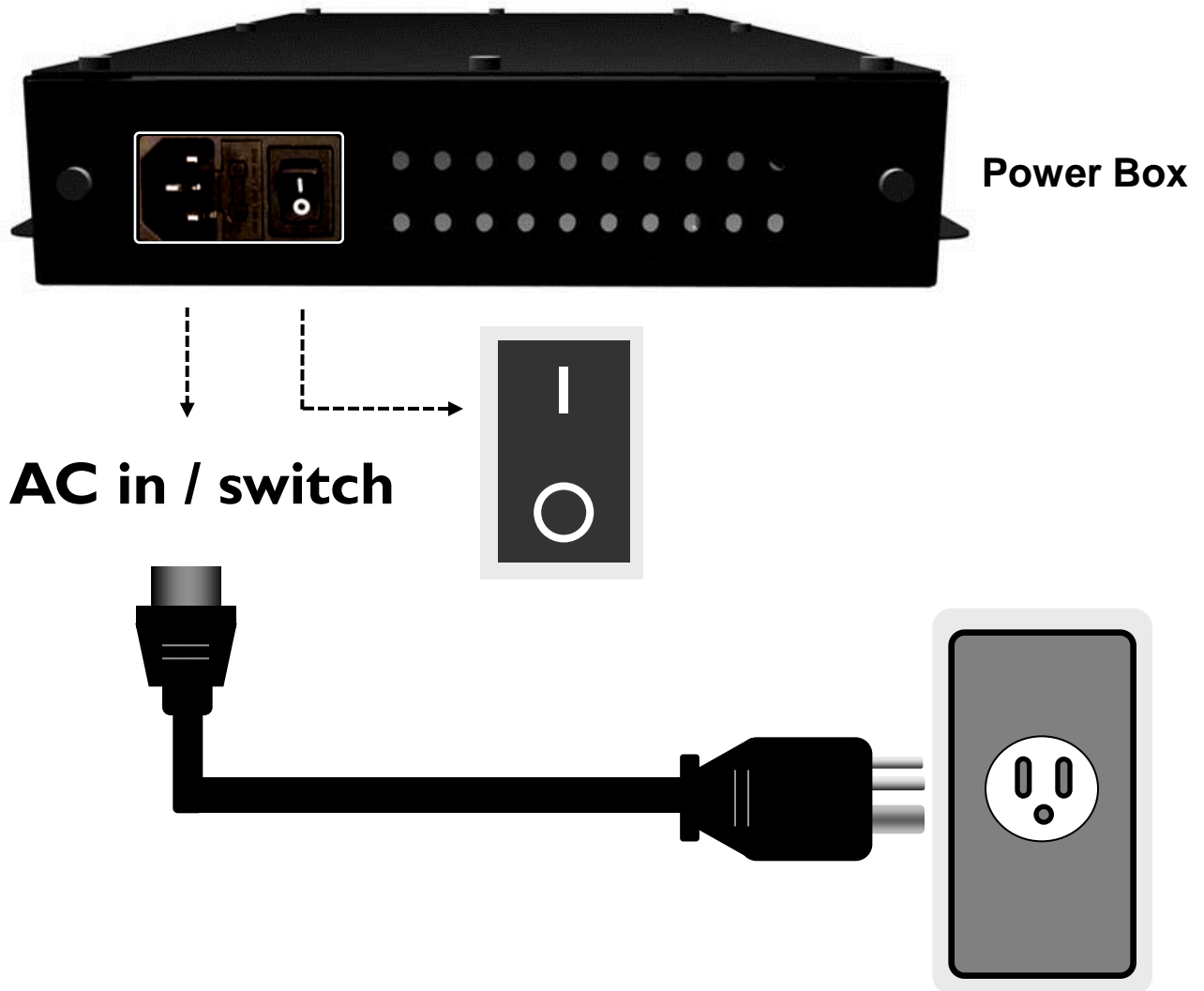
- 1** Reinstall the downside cover.
screws x 10 (M6x30mm)

- 2** Reinstall the other
two I/O covers
which are not used.



Setting Up The Display

3.7 Step 7 : Connect the power cord



Plug in the power cable and turn on the AC power switch.

Setting Up The Display

3.8 Step 8 : Using the Remote Control



No.	Key	Descriptions
1	Power	Power on/Power off
2	Menu	Into OSD module
3	▲	Menu Up
4	▼	Menu Down
5	Exit	Menu/Exit selection

Setting Up The Display

3.9 OSD Setting Menu

Press “MENU” into the OSD Setting Menu, and then press “UP” or “DOWN” to select the item, at last press “EXIT” to leave menu :



Luminance

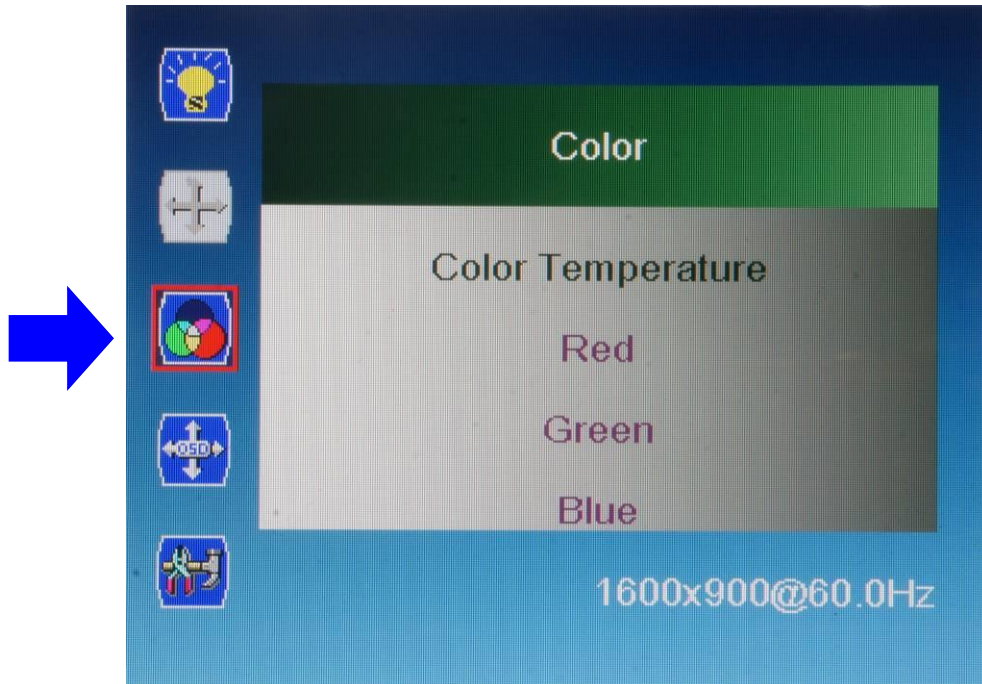
Press **MENU** to select one of the following, and then press “UP” or “DOWN” to select the desired level,

---**Brightness1**: Range: 0~100 ; Default: : 100

---**Contrast**: Range: 0~100 ; Default : 50

Setting Up The Display

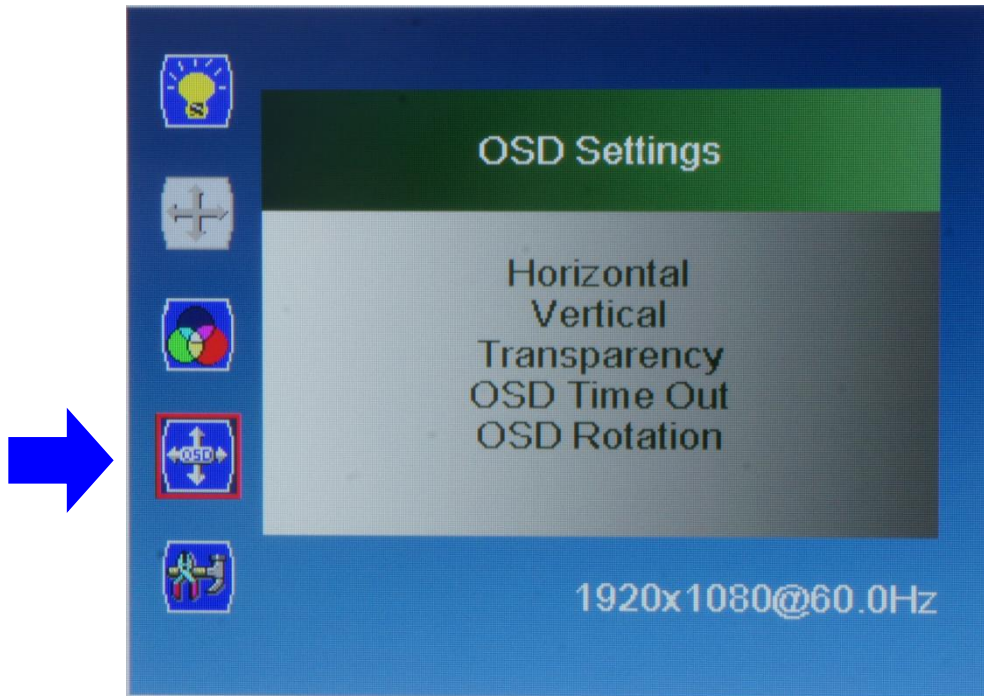
Press “MENU” into the OSD Setting Menu, and then press “UP” or “DOWN” to select the item, at last press “EXIT” to leave menu :



Color	<p>Press MENU to select one of the following, and then press “UP” or “DOWN” to select the desired level,</p> <p>---Color Temperature: Range: 6500K, 9300K, 11500K, User Define Default: : 9300K</p> <p>If you choose the User Define, you can adjust red, green, blue gain and red, green blue offset;</p> <p>---Red: 0~100 ; Default : 70</p> <p>---Green: 0~100 ; Default : 70</p> <p>---Blue: 0~100 ; Default : 70</p>
--------------	---

Setting Up The Display

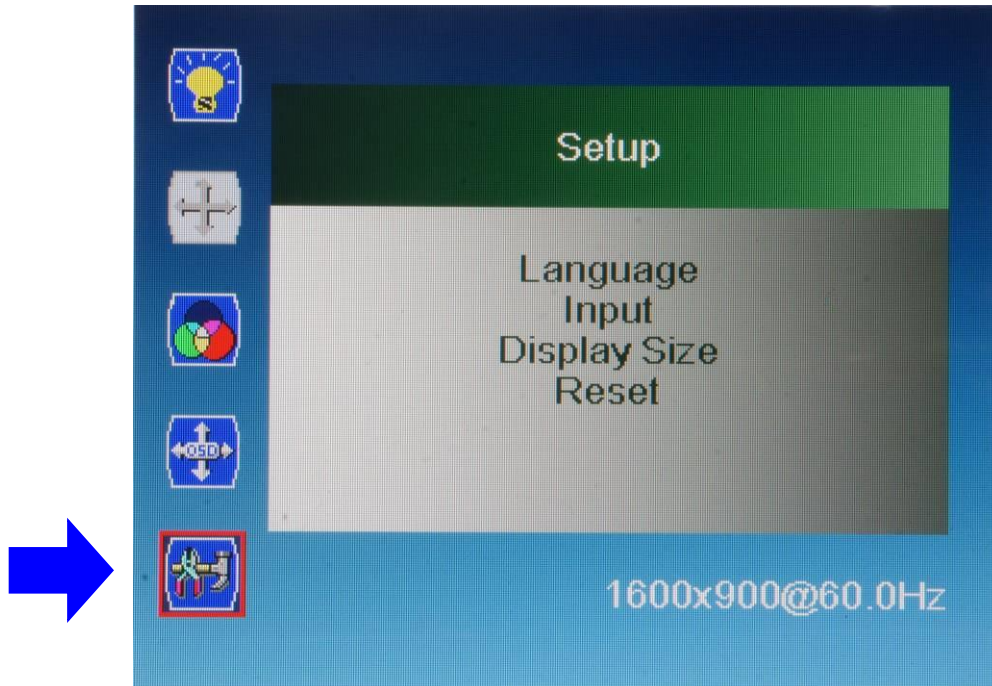
Press “MENU” into the OSD Setting Menu, and then press “UP” or “DOWN” to select the item, at last press “EXIT” to leave menu :



OSD Settings	Press MENU to select one of the following, and then press “UP” or “DOWN” to select the desired level, ---Horizontal: 0~100 ; Default : 50 ---Vertical: 0~100 ; Default : 50 ---Transparency: 0~4 ; Default : 0 ---OSD Time Out: 0~60 ; Default : 5 ---OSD Rotation: 0(0 °),1(90 °),2(270 °),3(360 °) ; Default : 0(0 °)
---------------------	--

Setting Up The Display

Press “MENU” into the OSD Setting Menu, and then press “UP” or “DOWN” to select the item, at last press “EXIT” to leave menu :



Setup	<p>Press MENU to select one of the following, and then press “UP” or “DOWN” to select the item ,</p> <p>---Language: English / Español / Français / Deutsch / Italiano / Português / Русский / 简体中文 / 日本語 / 繁體中文 ; Default :English</p> <p>---Input: HDMI1 / HDMI2 ; Default :HDMI2</p> <p>---Display Size: Full Screen / Smart Fit / 4:3 / Smart4:3 ; Default : Full Screen</p> <p>---Reset: No / Yes ; Default : No</p>
--------------	--

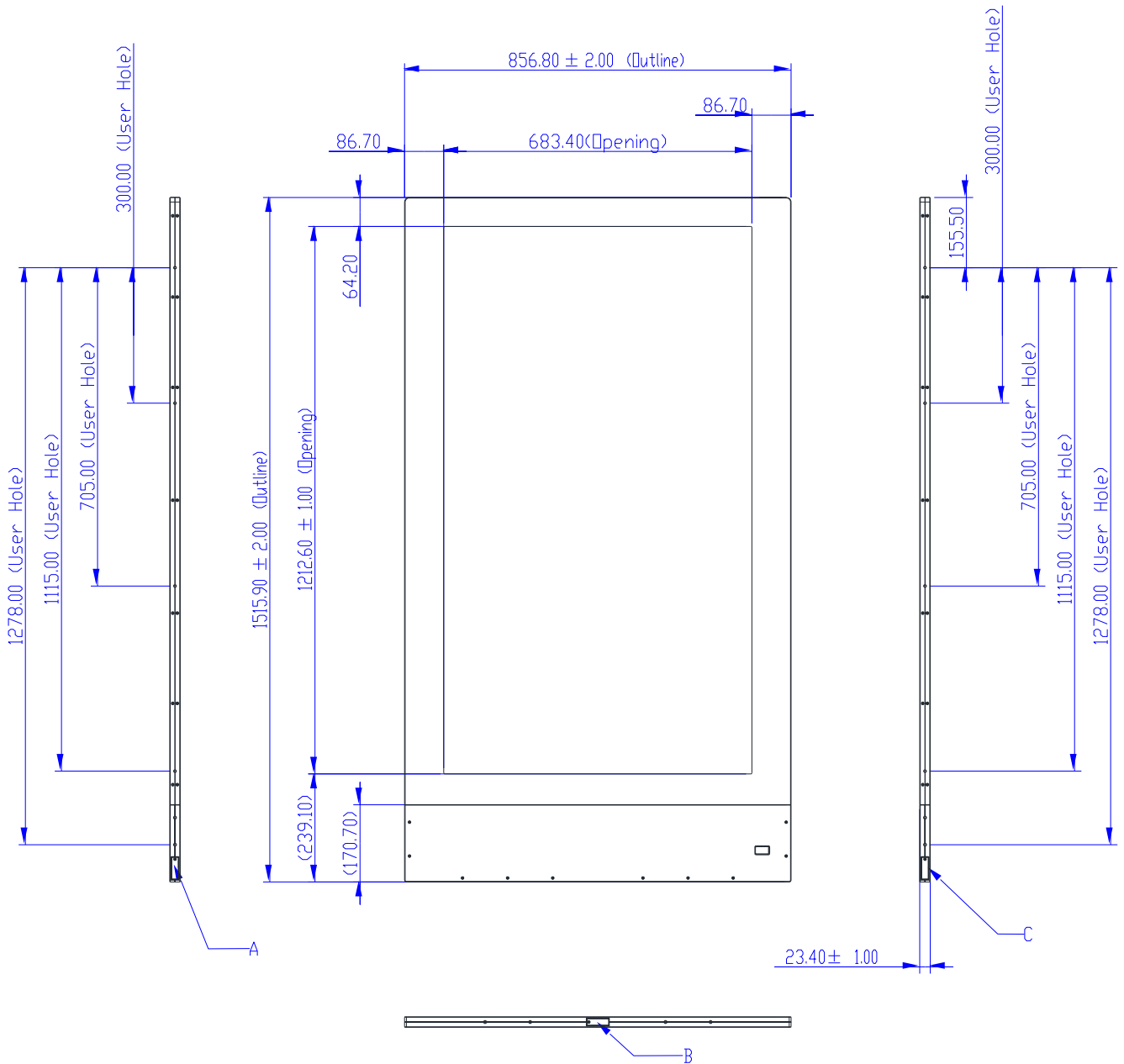
Trouble shooting

Symptom	Possible Cause	Remedy
No picture is displayed	<ol style="list-style-type: none"> 1. The power cord is disconnected. 2. The main power switch on the back of the display is not switched on. 3. The selected input has no connection. 4. The display is in standby mode. 	<ol style="list-style-type: none"> 1. Plug in the power cord. 2. Make sure the power switch is switched on. 3. Connect a signal connection to the display.
Interference displayed on the display or audible noise is heard	Caused by surrounding electrical appliances or fluorescent lights	Move the display to another location to see if the interference is reduced.
Color is abnormal	The signal cable is not connected properly.	Make sure that the signal cable is attached firmly to the back of the display.
Picture is distorted with abnormal patterns	<ol style="list-style-type: none"> 1. The signal cable is not connected properly. 2. The input signal is beyond the capabilities of the display. 	<ol style="list-style-type: none"> 1. Make sure that the signal cable is attached 2. Check the video signal source to see if it is beyond the range of the display. Please verify its specifications with this display's specification section.
After-Images can still be seen on the display after the display is powered off.	A still picture is displayed for an over extended period of time.	Do not allow a still image to be displayed for an extended period of time as this can cause a permanent after-image to remain on the display.

Specifications

LCD Display 55"	Model name	DS-55
	Screen size	55 inch (diagonal)
	Resolution	1920 x1080 (Pixel)
	Display Area	1209.6(H) x 680.4(V)
	Contrast Ratio	3000:1
	Brightness	450 nits / 450 nits
	View angle	178° (H); 178° (V)
	Color Gamut	72 (%)
	Surface Treatment	Haze 11%,3H
Input Connectivity	HDMI*2	
SET	Dimension	1515.9 x 856.8 x x 23.4 mm
	Weight	45.5 KG
	Material	SECC
	Surface Treatment	Painting in Black color
Power	Input	AC100-240V,50-60Hz,2.7A
	Power Consumption	230 W (typ.)
	Light source	LED
	Dimension (power box)	600 x 370 x 42mm
	Weight	4 KG
Packing	Dimension	1618 x 970 x 249 mm
	Weight	56.5 KG
Environmental Conditions	Operating Temp.	0 ~ 40°C
	Operating Humidity	20% ~ 80%

Product Dimensions



A,B,C: I/O covers