

# Installation Manual

## 4mm (banana) plug

This 4mm (banana) plug offers a Side Entry and a Rear Entry of the speaker wire. The Heavy-Duty 24k Gold plating will resist corrosion and will provide the best possible connection.

**Note:** The plug can accommodate 11~18 a.w.g. wire in the rear and 6~18 on the side (lower # means thicker wire)

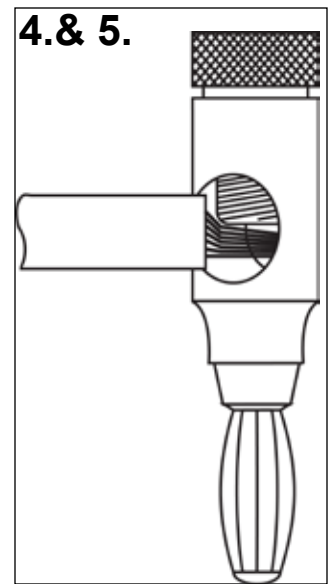
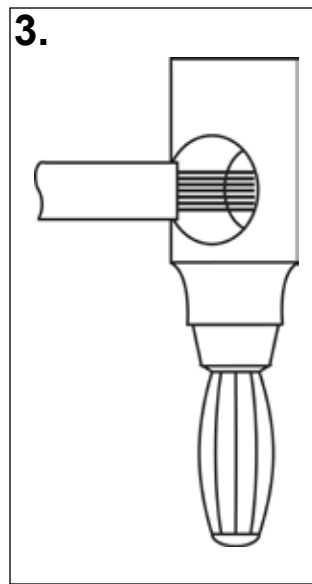
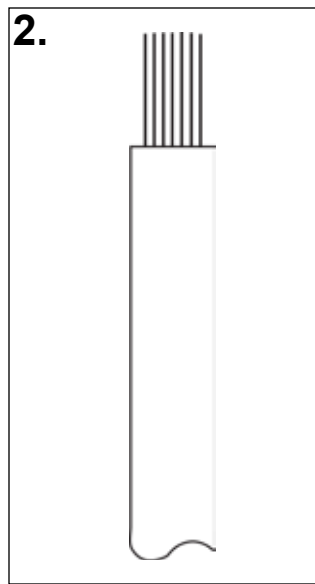
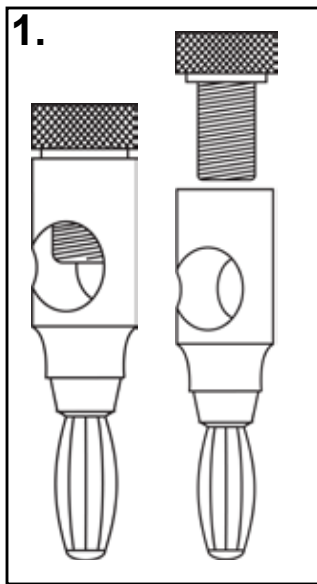
### SIDE ENTRY INSTALLATION

1. Unscrew the rear bolt in the banana plug
2. Strip the speaker wire to the approximately 19mm (6/8in)
3. Twist the stripped part of the speaker wire a few times to keep all of the strands together and insert it into the side of the plug.
4. Screw in the rear bolt into the banana plug.
5. The plug is ready to use.

### REAR ENTRY INSTALLATION

1. Unscrew the rear bolt in the banana plug
2. Strip the speaker wire to the approximately 22mm (7/8in)
3. Twist the stripped part of the speaker wire a few times to keep all of the strands together and insert it into the rear bolt. Once inserted, spread the strands to the width of the bolt.
4. Screw in the rear bolt into the banana plug.
5. The plug is ready to use.

### SIDE ENTRY



### REAR ENTRY

