

## 12VDC Switching CCTV Power Supply

### PC-U1810-PULQ

18 Outputs, Total supply current: 10A

The ENFORCER 12VDC Switching CCTV Power Supply is an efficient solution for powering CCTV installations. Each unit distributes power to multiple CCTV devices and provides short circuit and overheat protection.

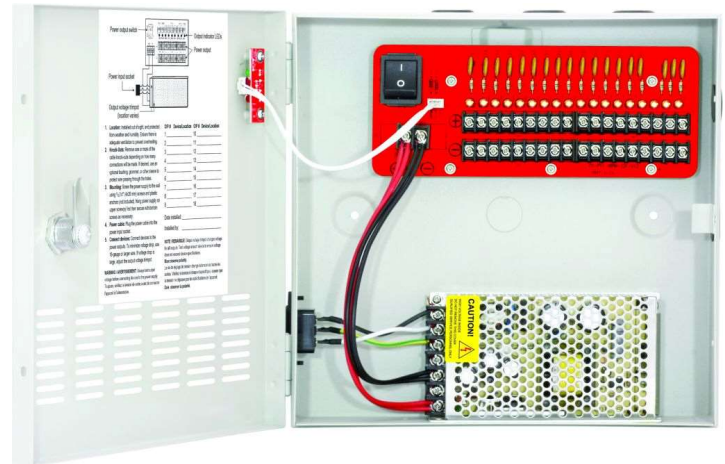
### Features:

- 100~220 VAC Input\*
- Adjustable output to reduce voltage drop
- Each output individually protected by a PTC fuse
- PTC fuses rated 1.1A@11.0~13.8 VDC
- Power output ON/OFF switch
- Individual output status LEDs
- Convenient AC input and DC output status LEDs on cover
- Heavy-duty steel case with cover
- Built-in short circuit and overheat protection
- 3.3ft (1m) Power cord included

### Specifications:

Outputs	18
Total supply current	10A
Max. current per output	1.1A
Output fuse	PTC
Output voltage	1.1A@11.0~13.8 VDC (adjustable by trimpot ±10%)
Input voltage*	100~200 VAC ±10% (47~63 Hz)
LED Indicators	Cover: Green: AC Input, Red: DC Output PDM**: Red: DC Output
Operating Humidity	90% (non-condensing)
Operating temperature	32°~104° F (0°~40° C)
Dimensions	10"x10 <sup>5</sup> / <sub>16</sub> "x3 <sup>1</sup> / <sub>8</sub> " (254x262x79 mm)
Weight	5-lb 2-oz (2.31kg)

\*UL listed for 90~120 VAC  
\*\*Power distribution module



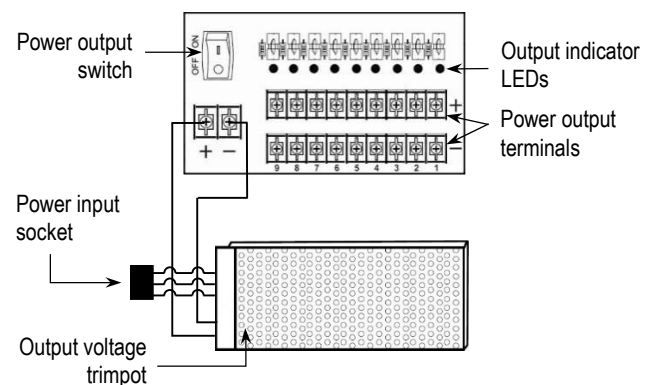
18  
Outputs

1.1A  
per  
Output

10A  
Total

PTC  
Fused

### Overview:



### SECO-LARM® U.S.A., Inc.

16842 Millikan Avenue, Irvine, CA 92606

Phone: (949) 261-2999 | (800) 662-0800 Fax: (949) 261-7326

Website: www.seco-larm.com Email: sales@seco-larm.com



Copyright © 2018 SECO-LARM U.S.A., Inc. All rights reserved.  
All trademarks are the property of SECO-LARM U.S.A., Inc. or their respective owners.  
The SECO-LARM policy is one of continual development. For that reason, SECO-LARM reserves the right to change prices and specifications without notice. SECO-LARM is not responsible for misprints.  
**SECO-LARM® ENFORCER® CRIMEBUSTER® CBA® SLI®**