

SIM 10 Lamp kit Quick Installation Guide

Manual number:

R59770719_00

Date:

28 November 2011

Kit numbers:

R9843087 / R9843097

Used for:

SIM 10



TIPS:

- See www.barco.com for the latest version of this Quick Installation Guide;
- For detailed information, consult Installation Manual R5977691 on www.barco.com.



WARNING: This procedure may only be performed by Barco trained or qualified technicians!



WARNING: HOT SURFACE. The lamp temperature raises to very high level during operation. Wait for 15 more minutes after switching of the projector before starting this procedure.



WARNING: RISK OF EXPLOSION. This lamp operates at high pressure and can explode if not handled correctly.



WARNING: RISK OF ELECTRICAL SHOCK. Power down the projector, respect the cool-down cycle and unplug the power cord before starting this procedure.



WARNING: UV RADIATION EXPOSURE. Never light the lamp if the projector covers are removed.



WARNING: LAMP RUNTIME. Do not exceed the indicated maximum total lifetime of the lamp in normal power mode.



WARNING: Do not use any other lamps than the original Barco lamps.

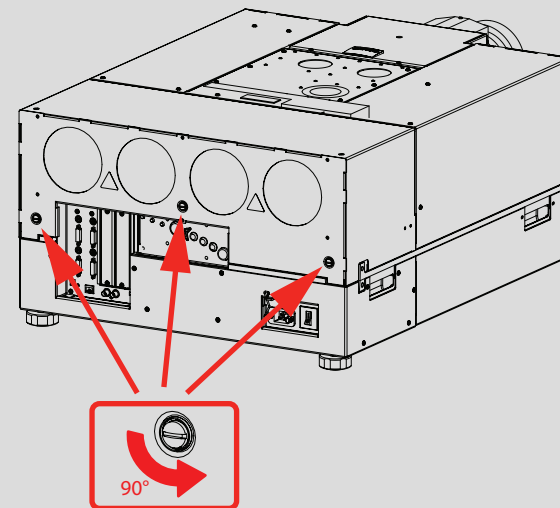


WARNING: Never touch the front glass cover with bare fingers.

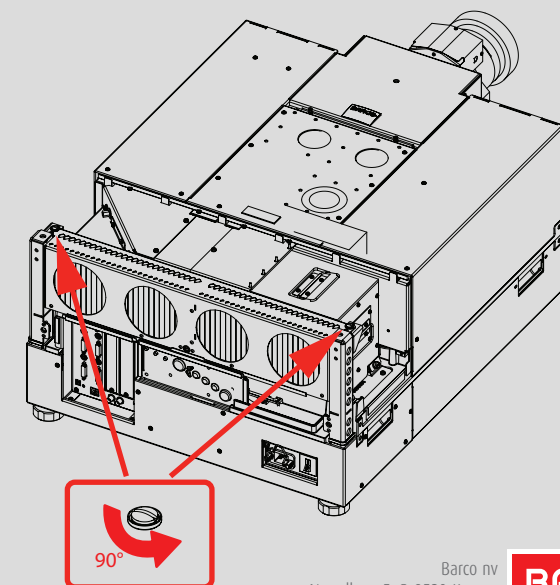


CAUTION: Lamps may not be disposed as normal household trash. Contact your local waste disposal facility for information on the recycling program for HID (High Intensity Discharge) lamps in your area.

1



3



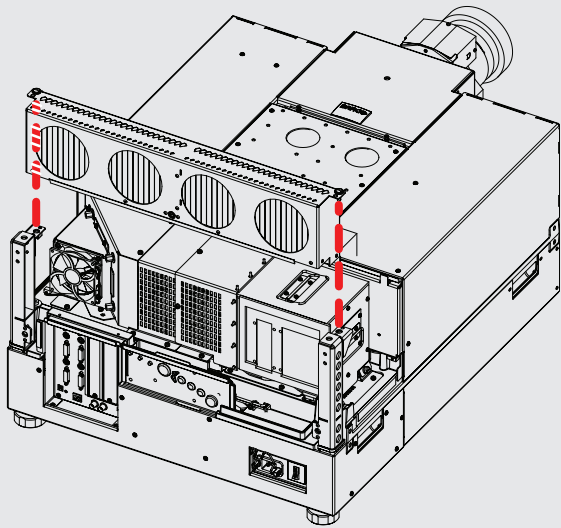
Barco nv
Noordlaan 5, B-8520 Kuurne
www.barco.com

BARCO

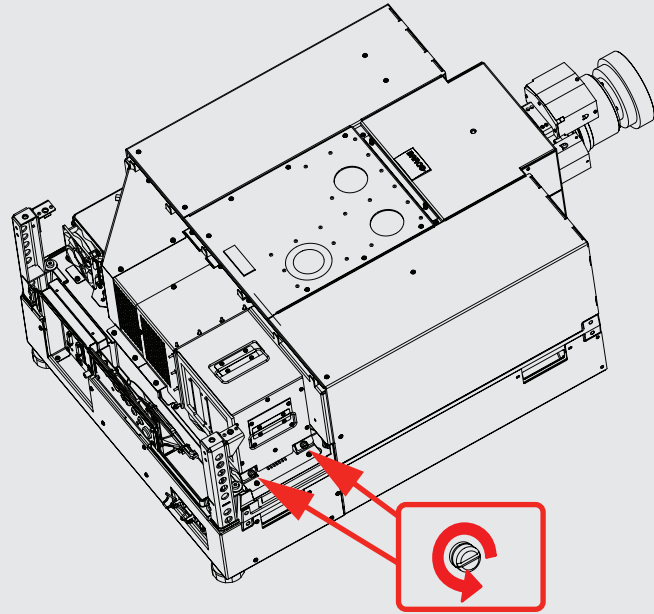
Visibly yours

SIM 10 Lamp kit Quick Installation Guide

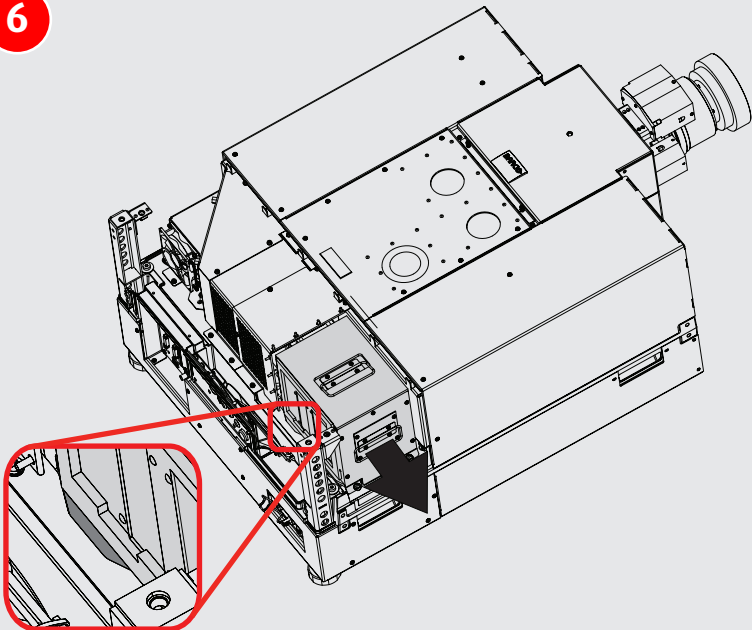
4



5



6



7

