

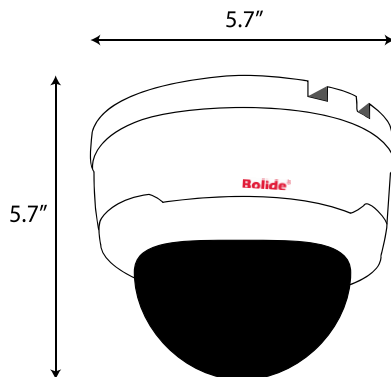
iPac 4K



HIGHLIGHTS

- 4K Resolution
- H.265 Compression
- Built-In POE
- IR Distance up to 147 ft.
- 3.3 - 12mm Motorized Lens
- SD Card slot
- 2 Way Audio
- Alarm In / Out

DIMENSIONS



The new iPac 4K is a true next generation of video surveillance cameras. 8MP resolution displays crisp 4K resolution with more accurate line, colors, and improved capabilities to identify people and objects in a video surveillance application. This solution is suitable for coverage of large areas and events where extensive digital zoom is required. Every iPac 4K camera also packs features that simplify installations and add utility such as audio recording and alarm relays.

| MECHANICAL SPECIFICATIONS | |
|---------------------------|---|
| Image Sensor | 1/2.5" Progressive CMOS |
| Minimum Illumination | 0.01Lux @(F1.2,AGC ON); B/W 0 Lux with IR |
| Shutter Speed | 1/5 s – 1/20,000 s |
| Lens | 3.3 – 12mm Motorized Lens; FOV 114 – 36° |
| F No. | F 1.4 ~ 2.8 ±5% |
| Day and Night | IR Cut Filter with Auto Switch |
| WDR | Digital |
| Digital Noise Reduction | 2D / 3D DNR |
| COMPRESSION | |
| Video Compression | H.265 / H.264 |
| Image Resolution | Up to 8MP (3840 X 2160) |
| Video Bit Rate | 8Kbps ~ 16Mbps |
| IMAGE | |
| Frame Rate | 8MP (3840 x 2160) 4MP (2592 x 1520) 3MP (2048 x 1536) 2MP 1296P (2304 x 1296) 1080P (1920 x 1080) 720P (1280 x 720) - 960H (1280 x 960) Substream D1 (704 x 480) - VGA (640 x 480) - QVGA (320 x 240) Mobilestream QVGA (320 X 240) |
| Image Settings | Rotate Mode, Saturation, Brightness, Contrast, Sharpness, and adjustable browser |
| Day & Night | IR Cut Filter with Auto Switch |
| INTERFACE | |
| System Compatibility | ONVIF 2.6 |
| Interface | 1 RJ45 10M / 100M Ethernet Interface |
| IR Distance | 40pcs LED Up to 148 feet |
| POE | Built-In POE |
| Security | Flash-Prevention, Dual Stream, Heartbeat, Mirror, Password Protection, Privacy Mask, IP Address Filtering |
| ELECTRICAL | |
| Power Supply | 12 VDC ± 10%, POE (802.3af) |
| Power Consumption | Max. 9 W |
| Operating Temp. | -40 °F - 140 °F Humidity 95% or less (non-condensing) |
| PHYSICAL | |
| Dimensions | 5.79" x 4.65" |
| Net Weight | 2.35 lbs. |
| Weather-Rating | IP66 Rated |