

SunBriteTV Deck/Planter Pole Installation Instructions

Part Number SB-DP46XA (For Wall Mount Part Nos. SB-WM46 and SB-WM46NA)

for SunBriteTV Model 4600HD Series

SunBriteTV Deck and Planter Pole SB-DP46XA is designed to accommodate SunBriteTV's Articulating Wall Mount SB-WM46 and Non-Articulating Wall Mount SB-WM46NA

This galvanized steel Deck and Planter Pole allows installation in virtually any backyard setting. The pole and supporting flange can be set in concrete in a planter or bolted directly to a flat surface, such as patio or pool deck. Oversized entry and exit holes are pre-drilled in the pole so wiring is concealed inside the pole. The hardware provided is stainless steel.

Dimensions:

3" W, x 3" D x 62" H.

Welded mounting flange for all poles is 12" W x 12" D.

DISCLAIMER: SunBriteTV LLC intends to make this manual accurate and complete. However, we make no claim that the information contained herein covers all details, conditions or variations, nor does it provide for every possible contingency in connection with the installation or use of this product. The information contained in this document is subject to change without notice or obligation of any kind. SunBriteTV makes no representation of warranty, expressed or implied regarding the information contained herein. SunBriteTV assumes no responsibility for accuracy, completeness or sufficiency of the information contained in this document.



Configuration for SB-WM46
Articulating Wall Mount



Configuration for SB-WM46NA
Non-Articulating Wall Mount

Contents:

Please check contents to be sure all parts are included. If items are missing, contact SunBriteTV customer service immediately.



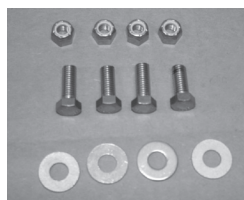
1 Pole



2 Horizontal Mounting Bars

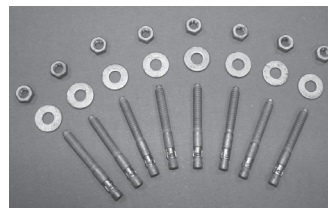


Cable Hole Cap



Horizontal Mounting Bar
Hardware

- 4 3/8" Lock nuts
- 4 1" Bolts
- 4 3/8" Washers

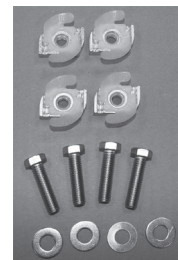


Pole Mounting Hardware

- 8 1/4" Hex nuts
- 8 1/4" washers
- 8 Concrete Anchors

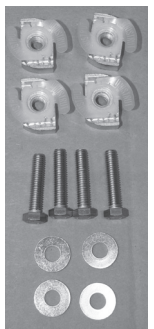
Hardware to Mount Articulating
Wall Mount SB-WM46

- 4 Unistrut Nuts
- 4 1-1/2" Bolts
- 4 3/8" Washers



Hardware to Mount
Non-Articulating
Wall Mount SB-WM46NA

- 4 Unistrut Nuts
- 4 1-1/2" Bolts
- 4 5/16" Washers



SunBriteTV Deck/Planter Pole and Wall Mount Installation Instructions for SunBriteTV Model 4600HD

Deck/Planter Pole Part No. SB-DP46X Wall Mount Part No. SB-WM46

WARNING: TV must be installed at least 5 feet away from water's edge.

1 TV Placement Guidelines (Figure 1):

Figure 1

SunBriteTV™ LCD televisions are twice as bright as most indoor LCD TVs. The sun, however, delivers more than 30 times the brightness of our TVs. Therefore, it is important that you do not place the TV where the screen faces direct sunlight; otherwise, this will cause the image on the screen to be washed out.

Intense direct sunlight falling on the screen over an extended period of time may cause dark spots to form on the screen image. This is a characteristic of LCD TV technology, and is a temporary condition that will go away after the screen is pointed away from the sun.

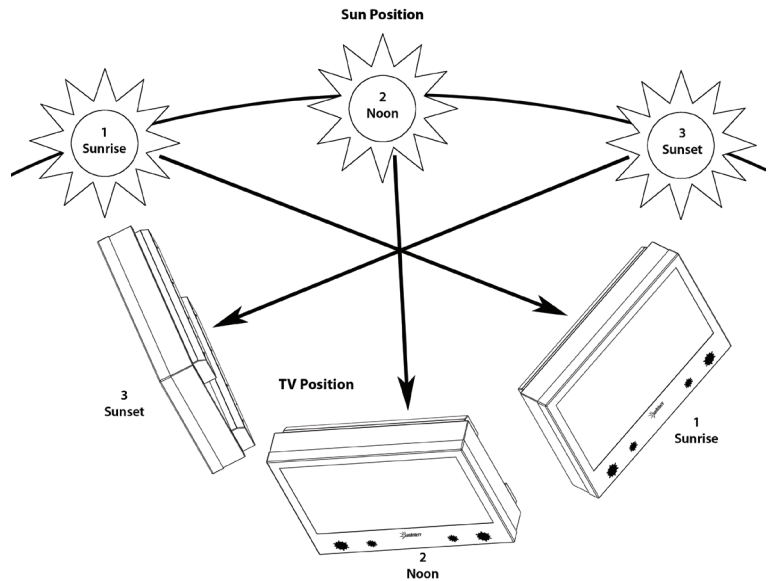
For optimum viewing, SunBriteTV recommends the following placement and installation guidelines:

Ideal placement is in an area where the TV is shaded by trees, landscape and/or structures, or under a patio cover or gazebo.

SunBriteTV recommends mounting the TV on SunBriteTV's articulating, tilt and swivel Wall Mount (Part No. SB-WM46) so the TV screen can be turned away from the location of the sun (see Figure 1).

The articulating wall mount also allows the TV to be rotated away and angled down from any highly reflective surfaces, such as water, white walls, concrete, etc.

SunBriteTV recommends using the SunBriteTV dust cover (Part No. SB-DC46) when the TV is not in use, especially if the sun is shining on the TV during the day.



2 Prepare Pole Location:

Choose an area that is away from standing water and sprinklers (Irrigation water may contain minerals that can damage the finish on the pole and TV.).

Bring the appropriate signal cables to the location (CATV, Video, Audio, etc.).

If using the Pole in a planter:

Create an appropriately sized concrete pier with a level top surface at least three inches above the grade.

If using the Pole in a deck:

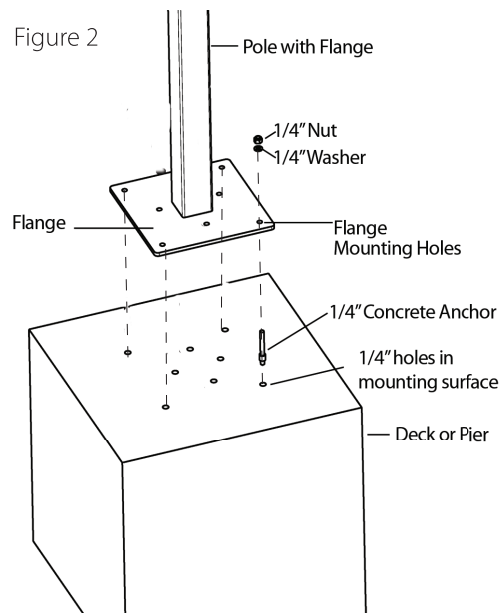
Choose a flat, level, shaded area away from sprinklers and standing water.

3 Install Deck/Planter Pole:

WARNING: TV must be installed at least 5 ft. away from water's edge.

Install Deck Planter Pole (Figure 2):

1. Use the Flange as a template to mark the locations of holes.
2. Drill 1/4" diameter x 1" deep holes using a concrete drill.
3. Use the 8 1/4" Concrete Anchors to mount the Pole.
4. Shim Pole level and plumb.
5. Secure using the 1/4" Nuts and Washers.
6. Orient the Pole so that Wall Plate faces the seating area.



SunBriteTV Deck/Planter Pole and Wall Mount Installation Instructions for SunBriteTV Model 4600HD

4 Install Articulating Wall Mount SB-WM46 to Deck/Planter Pole *(If you are Installing the Non-Articulating Mount SB-WM46NA, skip to step 5.)*

Attach Horizontal Mounting Bar to Pole

There are 8 Horizontal Mounting Bar Holes at the top of the Deck Planter Pole. Note that the Holes have been assigned Position numbers and letters.

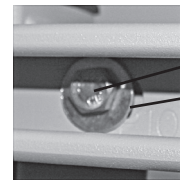
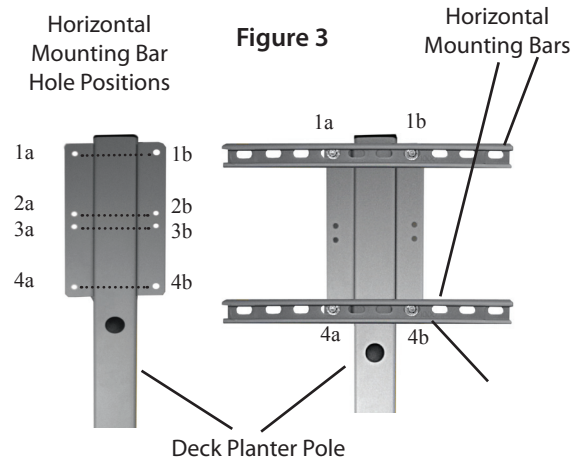
Position Row 1 and 4 are the rows that are to be used with the Articulating Wall Mount SB-WM46.

1. Align the top Horizontal Mounting Bar so that the fourth hole from the outside of the bar on the left side and right side line up to Position 1a and 1b. This step will center the bar to the pole (Figure 3).

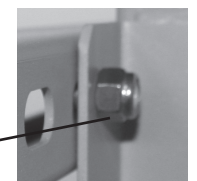
2. Place the 3/8" Washer over the Mounting Bar Hole at Position 1a, and put the 1" Bolt through the washer and Mounting Bar, to secure the Washer in place (Figure 4). From the back side attach the 3/8" Lock Nut and secure tightly (Figure 5). Repeat steps at Position 1b, to complete installation of the top Mounting Bar.

3. Align the bottom Horizontal Mounting Bar so that the fourth hole from the outside of the bar on the left side and right side line up to Position 4a and 4b. This step will center the bar to the pole.

4. Place the 3/8" Washer over the Mounting Bar Hole at Position 4a, and put the 1" Bolt through the Washer and Mounting Bar, to secure the Washer in place. From the back side attach the 3/8" Lock Nut and secure tightly. Repeat steps at Position 4b, to complete installation of the bottom Mounting Bar.



Front
Figure 4



Back
Figure 5

Attach Articulating Wall Mount SB-WM46 to Deck/Planter Pole

1. Install all four Unistrut Nuts on the Horizontal Mounting Bar:
 - A. Align the channel of the Unistrut Nut with the Mounting Bar Lip (Figure 6).
 - B. Slide the Unistrut Nuts in 2.25" from each end of Mounting Bar. The Unistrut Nuts will be 16 inches apart, and in position to accept the Wall Mount (Figure 7).

Figure 6 Pole Plate Lip

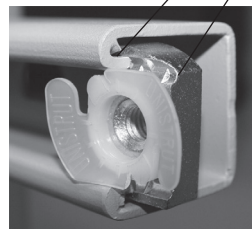
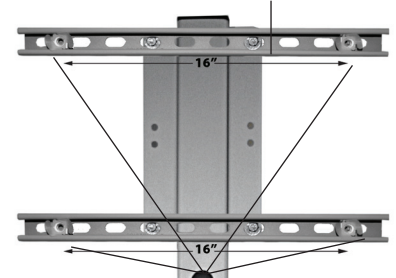


Figure 8



Figure 7 Unistrut Channel



Unistrut Nut Placement

2. Attach Articulating Wall Bracket (sold separately) to the Horizontal Mounting Bar

- A. Attach the two 1-1/2" Bolts and 3/8" Washers to the two Unistrut Nuts on the top Mounting Bar. Fasten loosely enough that the Articulating Wall Mount bracket will fit between the Washer and the Unistrut Nut (Figure 8).
- B. Align the round Keyhole opening with the Washers and Bolts, and hang the Wall Mount so that it sits behind the Washer. Slide the Wall Mount to the left. Tighten Bolts to hold Wall Mount Securely to the pole. (Figures 9 A and B.).
- C. With the remaining two Bolts and Washers, secure the Wall Mount to the lower Horizontal Mounting Bar (Figure 10).

Figures 9 A and B

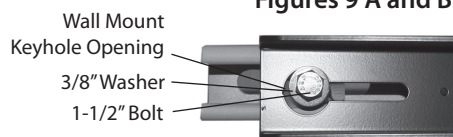


Figure 10



Wall Mount
Horizontal Mounting Bar

To complete installation, go to Step 6 on Page 5.

5 Install Non-Articulating Wall Mount SB-WM46NA to Deck/Planter Pole

(If you are Installing the Articulating Mount SB-WM46, go back to Step 4.)

Attach Horizontal Mounting Bar to Pole

There are 8 Horizontal Mounting Bar Holes at the top of the Deck Planter Pole. Note that the Holes have been assigned Position numbers and letters.

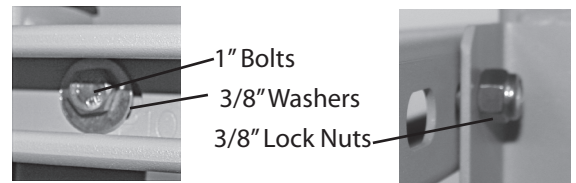
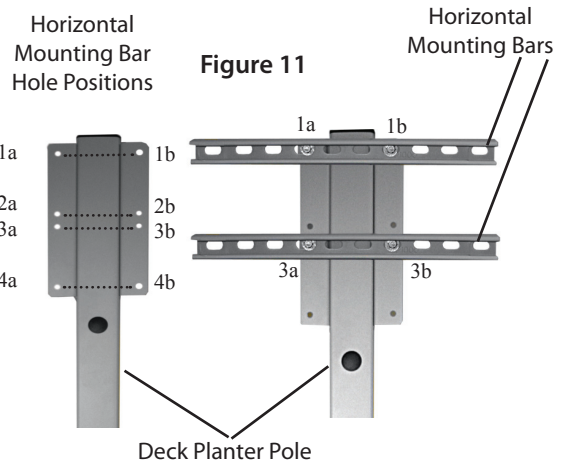
Position Row 1 and 3 are the rows that are to be used with the Non-Articulating Wall Mount SB-WM46NA. If you prefer a 5-inch lower viewing angle, you can use Position Rows 2 and 4. The sample we are using for this instruction is Position Row 1 and 3 (Figure 11).

1. Align the top Horizontal Mounting Bar so that the fourth hole from the outside of the bar on the left side and right side line up to Position 1a and 1b. This step will center the bar to the pole.

2. Place the 3/8" Washer over the Mounting Bar Hole at Position 1a, and put the 1" Bolt through the Washer and Mounting Bar, to secure the Washer in place (Figure 12). From the back side attach the 3/8" Lock Nut and secure tightly (Figure 13). Repeat steps at Position 1b, to complete installation of the top Mounting Bar.

3. Align the lower Horizontal Mounting Bar so that the fourth hole from the outside of the bar on the left side and right side line up to Position 3a and 3b. This step will center the bar to the pole.

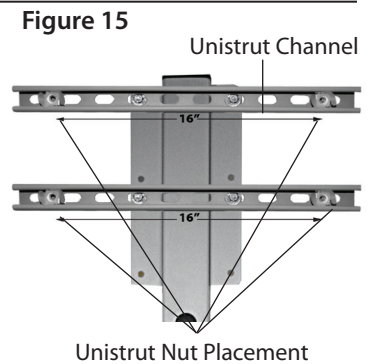
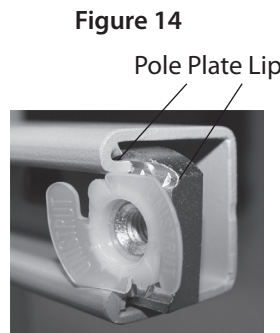
4. Place the 3/8" Washer over the Mounting Bar Hole at Position 3a, and put the 1" Bolt through the Washer and Mounting Bar, to secure the Washer in place. From the back side attach the 3/8" Lock Nut and secure tightly. Repeat steps at Position 3b, to complete installation of the bottom Mounting Bar.



Attach Non-Articulating Wall Mount SB-WM46NA to Deck/Planter Pole

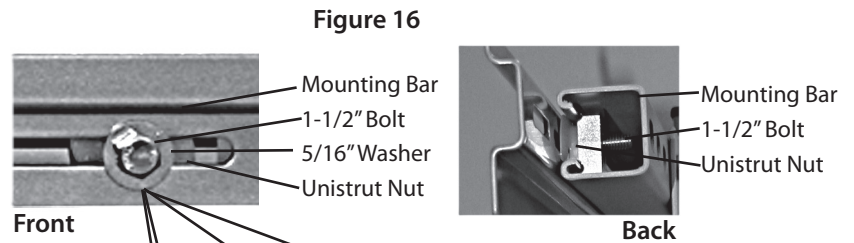
1. Install all four Unistrut Nuts on the Horizontal Mounting Bar:

- A. Align the channel of the Unistrut Nut with the Mounting Bar Lip (Figure 14).
- B. Slide the Unistrut Nuts in 2.25" from each end of Mounting Bar. The Unistrut Nuts will be 16 inches apart, and in position to accept the Wall Mount (Figure 15).

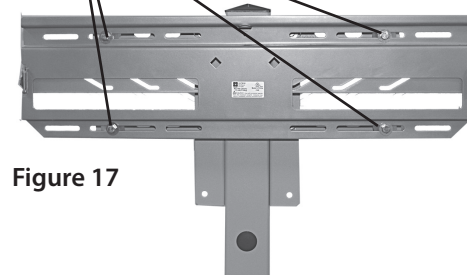


2. Attach Non-Articulating Wall Bracket (sold separately) to the Horizontal Mounting Bar

- A. Align the Non Articulating wall bracket to the four Unistrut Nuts that are attached to the Horizontal Mounting Bar.
- B. Hold the 5/16" Washer in front of the Horizontal Mounting Bar and the Unistrut Nut. Guide the 1-1/2" Bolts through the 5/16" Washers, Mounting Bar and Unistrut Nut, and secure tightly (Figure 16).



Repeat Step B to attach the Bolt and Washer to the other three Unistrut Nuts (Figure 17).



To complete installation, go to Step 6 on Page 5.

6 Attach TV to Wall Mount *

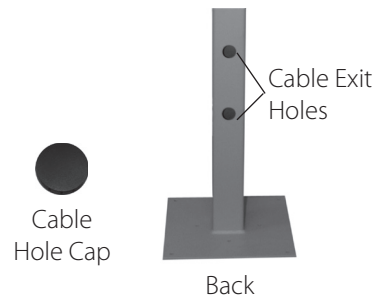
* For complete instructions of how to attach the TV to the Wall Mount, please refer to the Wall Mount Installation Instructions packaged with the Wall Mount.

Please note that this Wall Mount can be used for wall or pole installations. These instructions are for Pole installations only. For complete instructions on how to mount the TV on a wall, please refer to the Wall Mount Installation Instructions.

7 Thread Cables

After the TV is attached to the Wall Mount, and cables are hooked up, thread the cables through the Cable Entry Hole on the front of the pole, and exit the cables through one or both of the Cable Exit Holes on the backside of the pole.

If you only use one of the Cable Exit Holes, use the Cable Hole Cap to plug the additional hole.



If you have questions regarding this installation, please contact SunBriteTV Customer Service:
email: support@sunbritev.com
866.357.8688

