

# ENFORCER®

## MVE-AA11-01NQ

### HDMI Extender over Coax Cable

#### Manual



**HDMI**®  
HIGH-DEFINITION MULTIMEDIA INTERFACE



- Extend HDMI over a single coaxial cable.
- Supports resolutions from 480i to 1080p with zero signal loss.
- Transmits up to 328' (100m) at 1080p over coaxial cable.
- Plug and play operation — comes as a complete set.
- IR Pass-through for remote control extension.
- Two (2) 5VDC power supplies included.

# ENFORCER HDMI Extender over Coax Cable

## Introduction:

The ENFORCER HDMI Extender over Coax Cable extends the range of traditional HDMI cabling methods by using an active transmitter and receiver to send video and audio over a single coaxial cable. HDMI formats as large as 1080p can be transmitted up to 328' (100m) between the two units with zero signal loss by using integrated circuits in the receiver and transmitter.

## Features:

- **Signal Strength** – Active operation ensures that the signal strength will remain strong over the length of the cable.
- **Distance** – The HDMI Extender over Coax Cable is capable of providing a clear HDMI signal up to 328ft (100m).
- **Formats Supported** – The HDMI Extender over Coax Cable supports both progressive and interlaced formats: 1080p/1080i/720p/576p/480p/480i.
- **Plug and Play** – The HDMI Extender over Coax Cable comes as a complete set consisting of a transmitter and receiver, power supplies, and IR dongles.
- **Zero Signal Loss** – Integrated circuits in the transmitter and receiver clean, buffer, and amplify the HDMI signal to prevent signal loss and ensure a clear signal regardless of the length of the cable.
- **IR Pass-through** – Send IR signals from the source to the monitor for discrete operation of devices.

## Specifications:

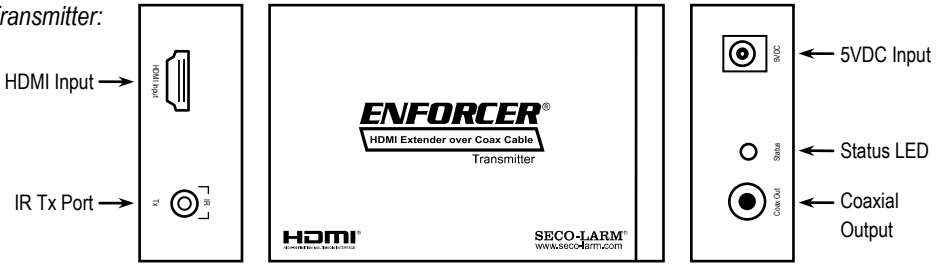
Input video signal	3.3V
Input DDC signal	5Vp-p (TTL)
Maximum single link range	1080p
Deep color	36bits (12bits/color)
Video formats supported	High-speed HDMI, HDCP 1.1
Audio formats supported	LPCM, Dolby-AC3, DTS7.1, DSD
Output video	HDMI
Resolutions supported	1080p/1080i/720p/576i/480i
Range – 1080p	Up to 328' (100m)
Video amplifier bandwidth	1.65Gbps
Video input connector	HDMI Type A 19-pin female
Maximum input cable length	24AWG (15m), 26AWG (10m), 28AWG (5m)
Video output connector	HDMI Type A 19-pin female
Maximum output cable length	24AWG (15m), 26AWG (10m), 28AWG (5m)
Coaxial cable	RG6
Operating voltage	5VDC
Power supply	1A@5VDC (2 adapters) (2.1mm plug)
ESD protection (human body model)	±8kV (air-gap discharge), ±4kV (contact discharge)
Operating temperature	32°~104° F (0°~40° C)
Operating humidity	20~90% RH (no condensation)
Dimensions	3 <sup>3</sup> / <sub>16</sub> "x1 <sup>15</sup> / <sub>16</sub> "x1" (81x49x25 mm)
Weight	4.2-oz (120g) (each)

## Parts List:

1x Transmitter	1x Manual
1x Receiver	1x IR Transmitter (w/ double sided tape)
2x 5VDC power adapters	1x IR Receiver (w/ double sided tape)

## Overview:

### Transmitter:



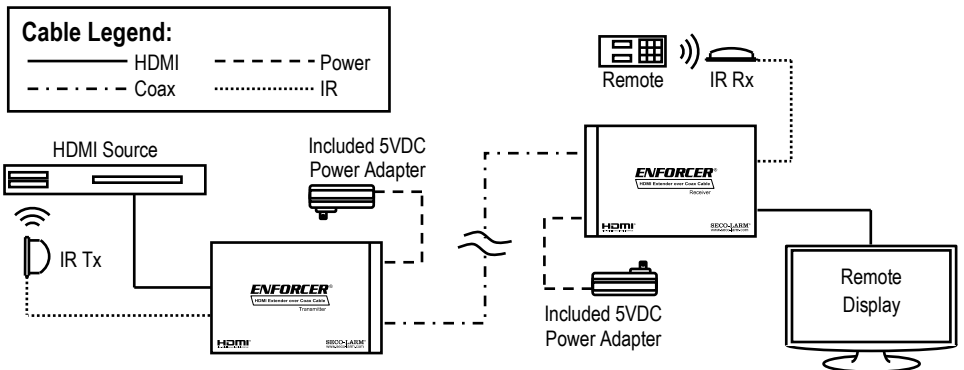
### Receiver:



## Installation:

1. Determine the location where the MVE-AA11-01NQ units will be wired as well as how much of the coaxial cable will be necessary.
2. Connect the transmitter to the HDMI output of the source device.
3. Connect the coaxial cable to both the receiver and transmitter units.
4. Connect the receiver to the HDMI input of the display or other device.
5. Connect one 5VDC adapter to the transmitter and another to the receiver.
6. Install the IR transmitter to the IR-TX port, pointing the IR transmitter at the device to be controlled. Install the IR receiver to the IR-RX port of the other device, pointing the IR receiver to where the remote control will be. Point the remote control at the IR receiver when in use.

## Sample Application:



# ENFORCER HDMI Extender over Coax Cable

## Troubleshooting:

HDMI device does not function correctly

- Make sure the extender is powered on both sides.
- Make sure the source and the display are powered.
- Test the coaxial cable between the receiver and transmitter and make sure it is functional.
- Make sure that there are no problems with the HDMI source, HDMI cables, or HDMI display by plugging the source directly into the display using an HDMI cable.

Screen flickering or brief image loss

- Switch the source device to a lower HDMI output (1080p to 1080i).

## Also Available from SECO-LARM:

Enhanced Extender for HDMI over Single Cat5e/6



### MVE-AT11-01NQ

Extend HDMI signals up to 230ft (70m)

## High-Speed HDMI Cables

MC-1102-18NQ	1.5ft (0.5m), 28AWG
MC-1102-03FQ	3ft (1m), 28AWG
MC-1102-06FQ	6m (1.83m), 28AWG
MC-1102-10FQ	10ft (3m), 28AWG
MC-1102-16FQ	16ft (5m), 28AWG
MC-1102-20FQ	20ft (6m), 26AWG
MC-1102-25FQ	25ft (7.6m), 26AWG
MC-1102-30FQ	30ft (9m), 26AWG
MC-1102-50FQ	50ft (15m), 26AWG



- Supports 3D video
- Supports 4K resolution
- Supports Ethernet
- Lifetime limited warranty

HDMI, the HDMI Logo and High-Definition Multimedia Interface are trademarks or registered trademarks of HDMI Licensing LLC in the United States and other countries.

**WARRANTY:** This SECO-LARM product is warranted against defects in material and workmanship while used in normal service for one (1) year from the date of sale to the original customer. SECO-LARM's obligation is limited to the repair or replacement of any defective part if the unit is returned, transportation prepaid, to SECO-LARM. This Warranty is void if damage is caused by or attributed to acts of God, physical or electrical misuse or abuse, neglect, repair or alteration, improper or abnormal usage, or faulty installation, or if for any other reason SECO-LARM determines that such equipment is not operating properly as a result of causes other than defects in material and workmanship. The sole obligation of SECO-LARM and the purchaser's exclusive remedy, shall be limited to the replacement or repair only, at SECO-LARM's option. In no event shall SECO-LARM be liable for any special, collateral, incidental, or consequential personal or property damage of any kind to the purchaser or anyone else.

**NOTICE:** The information and specifications printed in this manual are current at the time of publication. However, the SECO-LARM policy is one of continual development and improvement. For this reason, SECO-LARM reserves the right to change specifications without notice. SECO-LARM is also not responsible for misprints or typographical errors. Copyright © 2015 SECO-LARM U.S.A., Inc. All rights reserved. This material may not be reproduced or copied, in whole or in part, without the written permission of SECO-LARM.

## SECO-LARM® U.S.A., Inc.

16842 Millikan Avenue, Irvine, CA 92606

Phone: (949) 261-2999 | (800) 662-0800

Website: [www.seco-larm.com](http://www.seco-larm.com)

Email: [sales@seco-larm.com](mailto:sales@seco-larm.com)



MIMVE-AA11-01NQ\_150226.docx