

4.5" Round Push Plate

SD-7983-SSHQ

The ENFORCER 4.5" Round Push Plate is designed for easy, accessible entry and exit through public area doors. The 4.5" Round Push Plate features a large stainless steel button with the International Symbol of Access and "PUSH TO OPEN" engraved for clear and easy visual and tactile identification.

Features:

- Large, stainless steel plate button for public area use
- Use with SECO-LARM maglocks for an easily installed, high-security system
- Contact rating: 15A@125/250 VAC
- Momentary SPDT switch
- Operating life: Over 100,000 cycles (factory tested)
- Surface-mount plastic back box allows for quick installation, flexible mounting, and easy RF (wireless) upgrade



Stainless Steel Plate

SPDT Switch

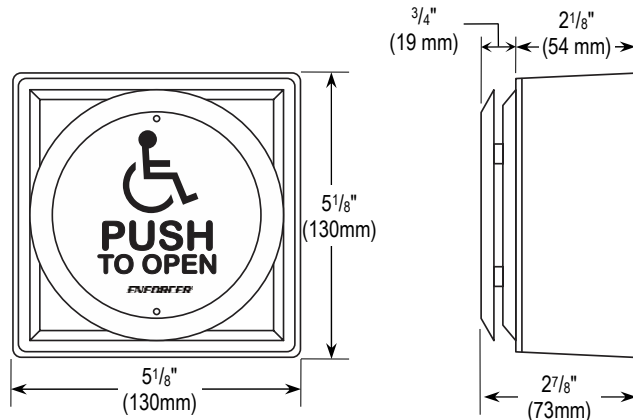
100,000 Cycles Tested

Surface Mount

Specifications:

Contact rating	15A@125/250 VAC	
Switch type	NO/NC/COM (SPDT)	
Contact resistance	50mΩ Max. (initial)	
Operating life	100,000 Cycles (factory tested)	
Operating travel	1.27mm	
Flammability rating	UL94HB	
Material	Faceplate	Stainless Steel
	Back box	ABS Plastic
Dimensions	Faceplate	4 1/2" x 4 1/2" x 3/4" (115x115x19 mm)
	Back box	5 1/8" x 5 1/8" x 2 1/8" (130x130x54 mm)
Operating temperature	32°~221° F (0°~105° C)	
Weight	16.5-oz (467g)	

Dimensions:



SECO-LARM® U.S.A., Inc.

16842 Millikan Avenue, Irvine, CA, 92606

Phone: (949) 261-2999 | (800) 662-0800 Fax: (949) 261-7326

Website: www.seco-larm.com Email: sales@seco-larm.com



Copyright © 2018 SECO-LARM U.S.A., Inc. All rights reserved. All trademarks are the property of SECO-LARM U.S.A., Inc. or their respective owners. The SECO-LARM policy is one of continual development. For that reason, SECO-LARM reserves the right to change prices and specifications without notice. SECO-LARM is not responsible for misprints. SECO-LARM® ENFORCER® CRIMEBUSTER® CBA® SLI®