

## Install Speakers

# CVS 6 BK

6" Coaxial In-Ceiling Loudspeaker  
for Installation Applications

- Coaxial full range ceiling loudspeaker for installation applications
- 60 Watts continuous, 240 Watts peak power
- 6" mineral loaded polypropylene driver with nitrile rubber surround for enhanced durability and long-term reliability
- 0.75" ferrofluid cooled soft dome neodymium high frequency driver
- Wide constant directivity dispersion for optimum coverage
- UL 1480 certified for fire-protected signalling systems
- UL 2043 certified for air-handling spaces
- UV and weather resistant UL 94 V-0 ABS front with plated steel fire can enclosure
- Multiple transformer taps for 70 V and 100 V line systems or 6 Ohm direct input
- Low insertion loss 60 W line transformer with easily accessible tapping switch
- Semi matt black finish fits unobtrusively in any environment
- Powder coated perforated steel mesh grille with dust protection
- Mounting C-ring and ceiling tile rails included
- Phoenix\* connector with steel cover and strain relief clamping mechanism for fire rated cable
- 5-Year Warranty Program\*
- Designed and engineered in the U.K.



The CVS 6 BK is a compact, semi matt black 240-Watt ceiling loudspeaker engineered to provide superb audio performance in both background and foreground music sound systems. Ideally suited for a wide variety of applications, from restaurants and hotels to houses of worship and businesses of all types, the CVS 6 BK offers the power handling, wide frequency response and low distortion more typically found in a studio reference monitor than a ceiling loudspeaker. The resulting sound is warm, with a nuanced and pristine clarity that envelops the listener – without intruding.



## Exceptional Sound and Reliability

The design comprises a 150 mm (6.00") mid bass driver with a coaxial 19 mm (0.75") high frequency section mounted in a vented, injection moulded, paintable front baffle manufactured from UV/weather resistant UL94V-0 ABS material. The mineral loaded polypropylene cone material and nitrile rubber surround enhance durability and long-term reliability. This compact unit is specifically designed for applications requiring the combination of excellent sonic quality for music and speech reinforcement and exceptional reliability.

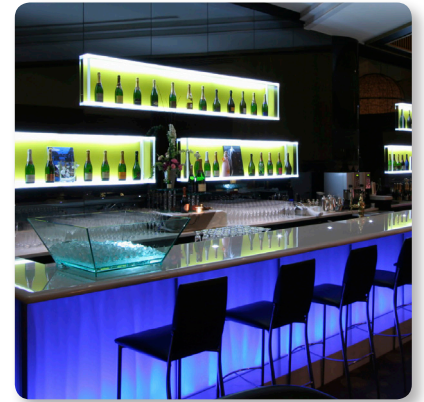
## Install Speakers

# CVS 6 BK

6" Coaxial In-Ceiling Loudspeaker  
for Installation Applications

### Comprehensive Installation Package

Supplied with an integral zinc-plated steel back can, with recessed termination box, the CVS 6 BK satisfies the vast majority of installation application requirements. Connections are made via an industry standard Phoenix\* connector with a low insertion loss 60 W line transformer. A steel cover and strain relief clamping mechanism is provided for use with fire rated cabling. Security toggle clamps make for quick and easy installation, while two tile support rails and one C-ring are also included in the package. A plaster (mud) ring is available as an optional accessory.



### You Are Covered

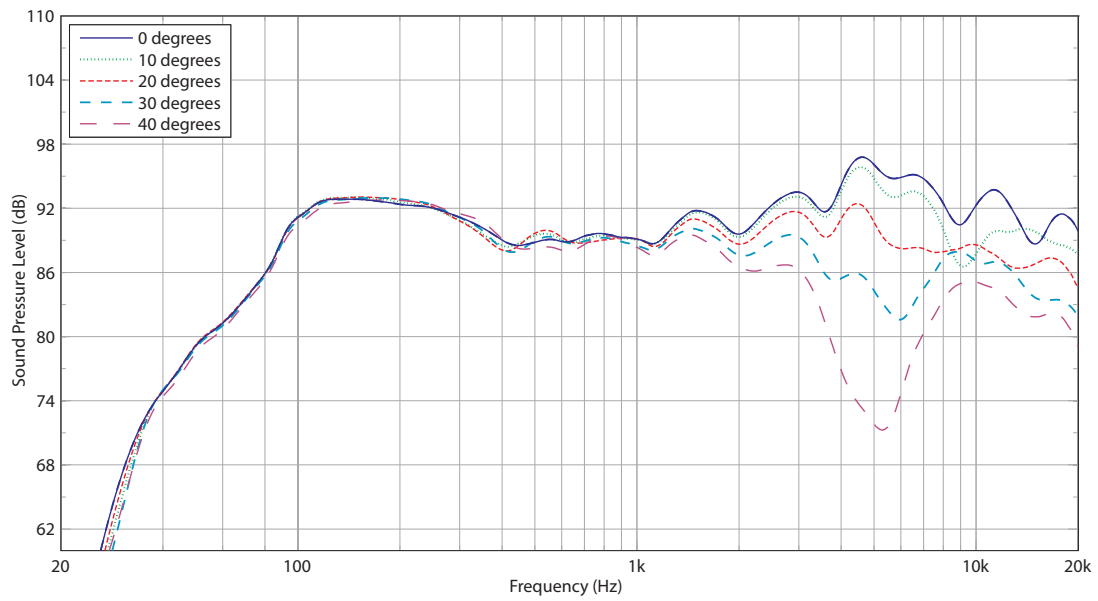
We always strive to provide the best possible Customer Experience. Our products are made in our own MUSICTribe factory using state-of-the-art automation, enhanced production workflows and quality assurance labs with the most sophisticated test equipment available in the world. As a result, we have one of the lowest product failure rates in the industry, and we confidently back it up with a generous [Warranty program](#).

## Install Speakers

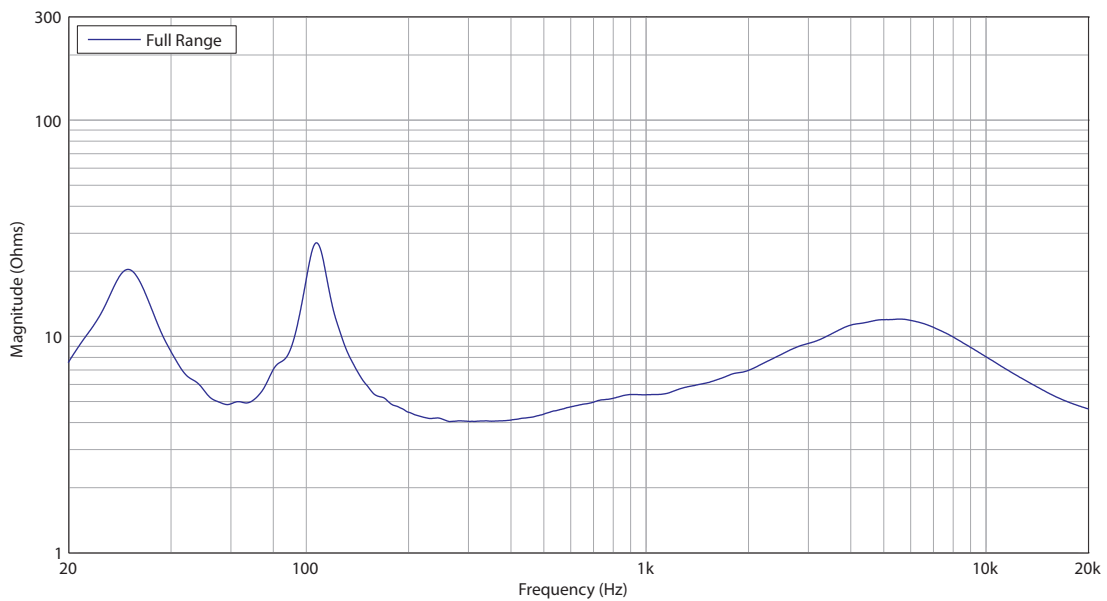
# CVS 6 BK

6" Coaxial In-Ceiling Loudspeaker  
for Installation Applications

### Frequency Response Sensitivity 1 W / 1 m



### Impedance

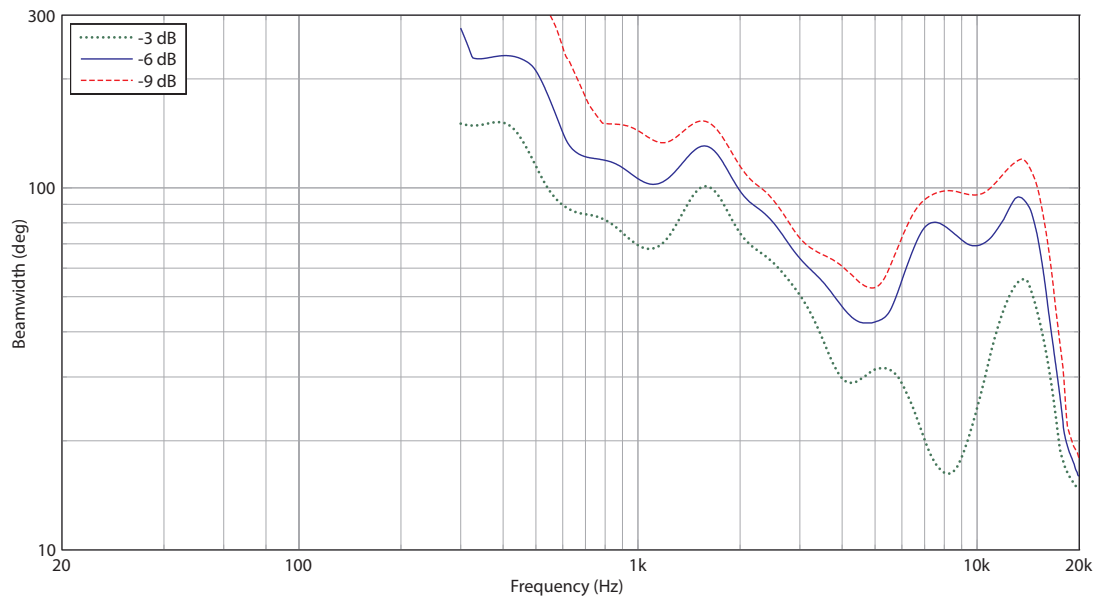


## Install Speakers

# CVS 6 BK

6" Coaxial In-Ceiling Loudspeaker  
for Installation Applications

### Horizontal Beamwidth

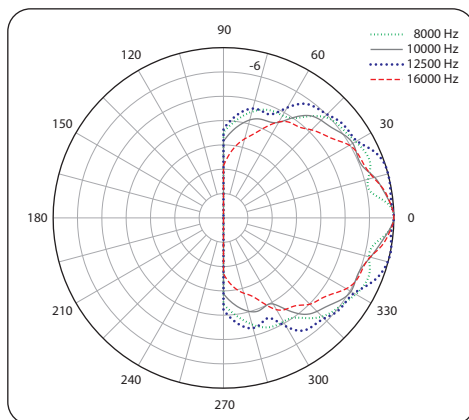
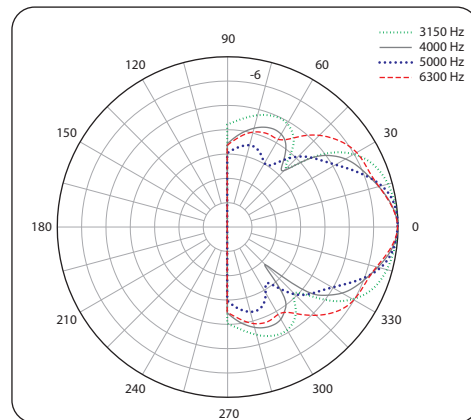
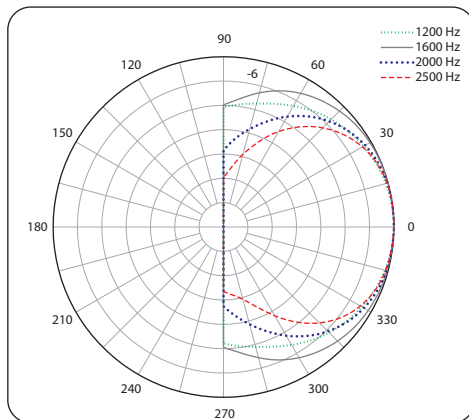
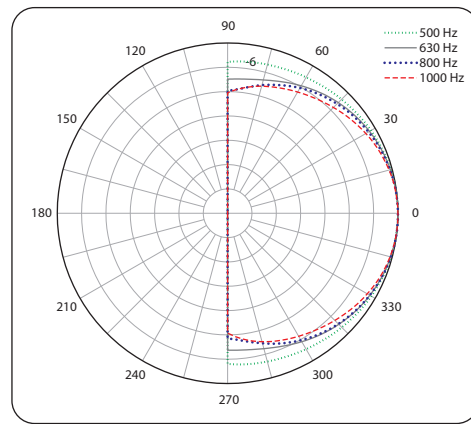
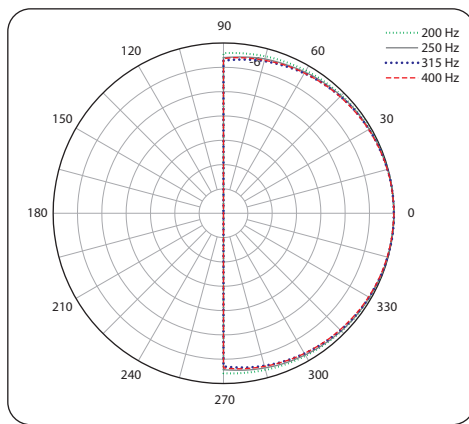


## Install Speakers

# CVS 6 BK

6" Coaxial In-Ceiling Loudspeaker  
for Installation Applications

## Horizontal Polar Plots

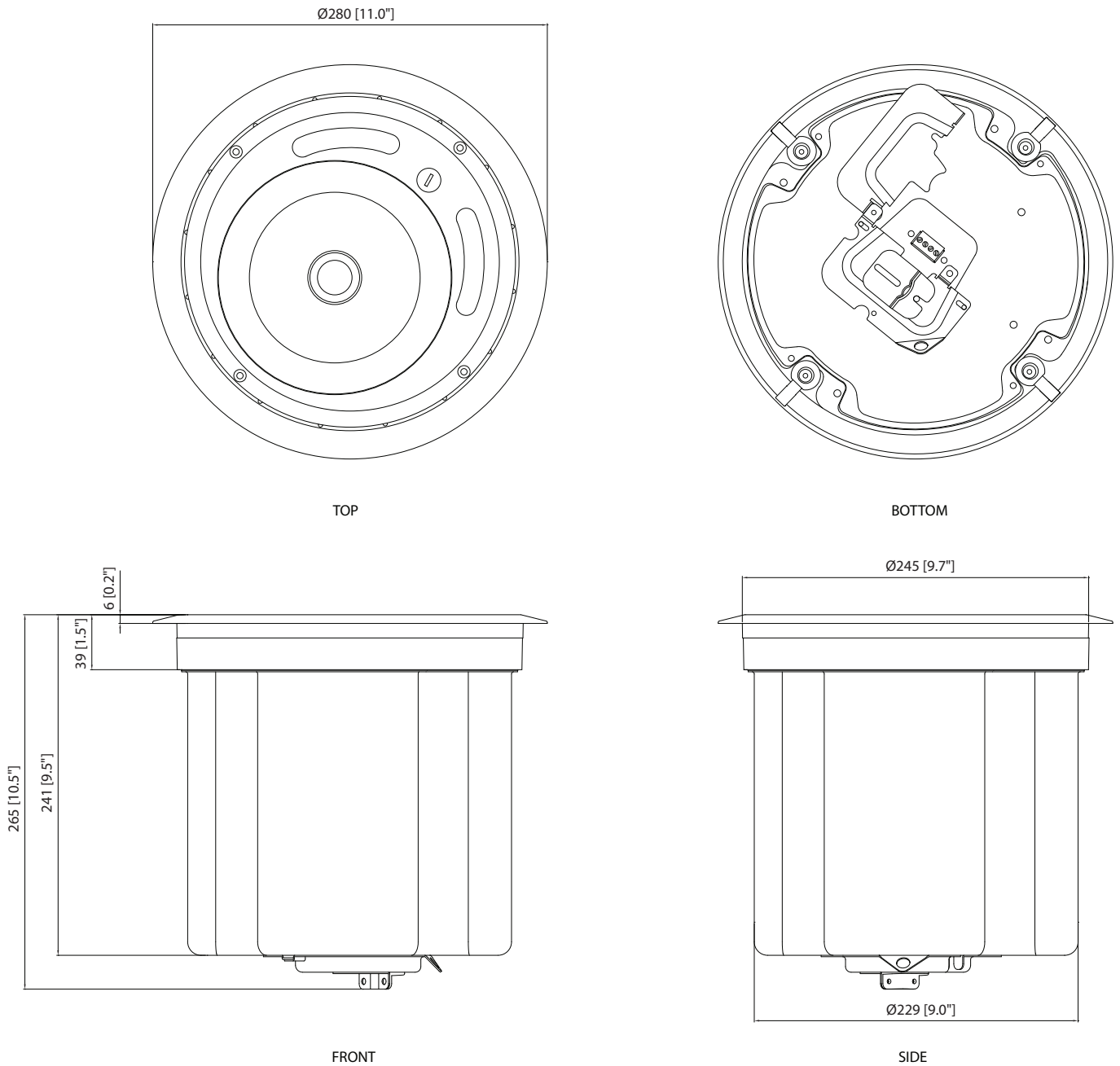


## Install Speakers

# CVS 6 BK

6" Coaxial In-Ceiling Loudspeaker  
for Installation Applications

## Dimensions



## Install Speakers

# CVS 6 BK

6" Coaxial In-Ceiling Loudspeaker  
for Installation Applications

## Technical Specifications

### System

Frequency response (-3 dB) <sup>1</sup>	79 Hz - 21 kHz
Frequency response (-10 dB) <sup>1</sup>	60 Hz - 24 kHz
System Sensitivity (1 W @ 1 m) <sup>2</sup>	91 dB (1 W = 2.45 V for 6 Ohms)
Nominal Coverage Angle	90 degrees conical
Coverage Angle (1 kHz to 6 kHz)	93 degrees
Directivity Factor (Q)	7.7 averaged 1 kHz to 6 kHz
Directivity Index (DI)	8 averaged 1 kHz to 6 kHz
Rated Maximum SPL	109 dB (average) 115 dB (peak)
Power Handling <sup>3</sup>	
Average	60 W
Programme	120 W
Peak	240 W
Recommended Amplifier Power	120 W @ 6 Ohms
Nominal Impedance	6 Ohms
Transformer Taps (via front rotary switch)	
70 V	60 W / 30 W / 15 W / 7.5 W / OFF & low impedance operation
100 V	60 W / 30 W / 15 W / OFF & low impedance operation

### Transducers

Low Frequency	150 mm (6.00") mineral loaded polypropylene ICT™
High Frequency	19 mm (0.75")

### Physical

Enclosure	
Back can	Zinc plated steel
Baffle	Refl ex loaded UL 94V-0 rated ABS
Grille	Steel, with weather resistant coating
Safety Features	Safety ring located at rear of enclosure for load bearing safety bond
Clamping Design	Security toggle clamp

### Back Can Options

Cable Entry Options	Cable clamp & squeeze connector for conduit up to 22 mm
Connectors	Removable locking connector with screw terminals with "loop through" facility
Safety Agency Ratings	UL-1480, UL-2043, CE
Hole Cutout Diameter	250 mm (9.84")
Dimensions Bezel diameter	279.5 mm (11.01")
Front of ceiling to rear of back can	246.5 mm (9.70")
Front of ceiling to top of safety loop	258.5 mm (10.18")
Net Weight (ea)	5.7 kg (12.6 lbs)
Included Accessories	C Ring, tile bridge, paint mask, cutout template, grille
Optional Accessories	Plaster (mud) ring

#### Notes

(1) Average over stated Bandwidth. Measured in an IEC baffle in an Anechoic Chamber

(2) Unweighted Pink noise input, measured at 1 m on axis

(3) Long term power handling capacity as defined in EIA - 426B test



Install Speakers

# CVS 6 BK

6" Coaxial In-Ceiling Loudspeaker  
for Installation Applications





Install Speakers

# CVS 6 BK

6" Coaxial In-Ceiling Loudspeaker  
for Installation Applications



Install Speakers

# CVS 6 BK

6" Coaxial In-Ceiling Loudspeaker  
for Installation Applications



Install Speakers

# CVS 6 BK

6" Coaxial In-Ceiling Loudspeaker  
for Installation Applications

MADE IN CHINA

SUSPENDING THIS SYSTEM SHOULD ONLY BE DONE BY QUALIFIED PERSONS FOLLOWING SAFE INSTALLATION STANDARDS

UL LISTED Type:G US 3PHS

CE

REFLECTED SYMBOL

WARRANTY SYMBOL

**SPEAKER: CVS 6**

WIRING	PASSIVE
1+ / 2-	INPUT
3- / 4+	LINK
INPUT	POWER
70 V LINE	7.5, 15, 30, 60 W
100 V LINE	15, 30, 60 W
6 Ω	120 W PROGRAM

REFER TO INSTALLATION WIRING DIAGRAM IN QUICK START GUIDE

# TANNOY

DESIGNED AND ENGINEERED IN THE U.K.

DESIGNED AND ENGINEERED IN THE U.K.



For service, support or more information contact the TANNOY location nearest you:

**Europe**  
**MUSIC Group Services UK**  
 Tel: +44 1562 547 100  
 Email: CARE@music-group.com

**USA/Canada**  
**MUSIC Group Services NV Inc.**  
 Tel: +1 702 963 1300  
 Email: CARE@music-group.com

**Japan**  
**MUSIC Group Services JP K.K.**  
 Tel: +81 3 5833 9121  
 Email: CARE@music-group.com

MUSIC Group accepts no liability for any loss which may be suffered by any person who relies either wholly or in part upon any description, photograph, or statement contained herein. Technical specifications, appearances and other information are subject to change without notice. All trademarks are the property of their respective owners. MIDAS, KLARK TEKNIK, LAB GRUPPEN, LAKE, TANNOY, TURBOSOUND, TC ELECTRONIC, TC HELICON, BEHRINGER, BUGERA and COOLAUDIO are trademarks or registered trademarks of MUSIC Group IP Ltd.  
 © MUSIC Group IP Ltd. 2018 All rights reserved.

