



# Di5 / Di5t

# TANNOY®



## Product Description

Designed for a wide variety of sound reinforcement applications, the Tannoy Di5t is a high performance, ultra compact surface mount weather resistant loudspeaker. A full bandwidth loudspeaker designed for commercial, professional and residential applications where environment durability and high quality sonic performance are required. Indoor or outdoor, these speakers are ideally suited to stereo or monaural background or foreground music systems in such applications as diverse as theme parks, retail premises, restaurants and cafés, corporate audio visual, residential developments and houses of worship.

Equipped with Tannoy's unique and exclusive point source ICT™ 110mm (4.50") drive unit, the Di5t delivers an acoustic performance of outstanding clarity, definition and detail. This ICT™ (Inductive Coupling Technology) drive unit addresses the two most common component failures experienced in background music and sound reinforcement systems; the tweeter and the crossover reliability. The use of a wireless electromagnetic tweeter means that no crossover is required in the design; this therefore ensures that an ICT™ unit cannot be burned out through system misuse or by constant heavy usage. The mineral loaded polypropylene cone material and nitrile rubber surround further enhance durability and long-term reliability. The 90 degree conical dispersion characteristic of the speaker ensures it can be mounted in either vertical or horizontal orientations on the wall or ceiling with no compromise to performance and vocal intelligibility.

Available in textured black or white painted finish with matching rubber trims, the outstandingly durable and scuff resistant, high impact polystyrene (HIPS) Di enclosure is weather resistant, rated IP64 to EN60529 (IEC529); a construction fully optimised for consistent performance in adverse conditions indoors or out.

The Di speaker cabinet may be painted to suit the décor of the installation. Further architectural modification is possible by application of alternative colour trims. Two standard colour trim options are available from stock; enabling black or white product to be supplied factory pre-fitted with either red or blue trims.

Other trim colours can also be created to suit specific requirements, but only as a special order customisation subject to minimum order quantities. Primarily aimed at corporate branding applications, this aesthetic flexibility will also enable colour coordination for larger installs.

### Transformer version - the Di5t

The Di5t model option is equipped with an internally mounted low insertion loss line transformer for 70V or 100V distributed sound applications. Wattage taps are easily configurable to the following settings via an easily accessible rotary tapping switch, which is top panel mounted under the rubber trim.

**70V:** 30W / 15W / 7.5W / 3.75W / OFF & Low Impedance operation  
**100V:** 30W / 15W / 7.5W / OFF & Low Impedance operation

## Features

- 110mm (4.50") ICT™ transducer for high performance and durability
- 90 degree controlled conical dispersion for optimum coverage and forward gain
- Weather resistant rated IP64 to EN60529 (IEC529)
- High power handling and extended bandwidth
- Phase coherent design for superior vocal articulation and music reproduction
- No crossover required, ensuring better phase, impedance and sensitivity response and increased durability
- Yoke bracket supplied, optional accessories include pole mount adaptor and the unique K-Ball™ pre-wired, fully adjustable multi-angle bracket
- Five year loudspeaker warranty

### Additional feature - the Di5t

- Low insertion loss 30W transformer for an more powerful and dynamic performance in distributed audio installations
- Top mounted switch for line voltage settings

## Applications

- Indoor or outdoor commercial, professional and residential installations
- High level stereo or monaural background or foreground music and speech paging systems
- Theme parks
- Theme bars
- Reception / waiting rooms
- Airports, convention centres and hotels
- Business music systems
- Boardrooms and offices
- Cruise ships
- Retail outlets and shopping malls
- Restaurants and cafes
- Corporate audio visual
- Residential developemnts
- Houses of worship

Tannoy United Kingdom  
Tannoy North America  
Tannoy Deutschland  
Tannoy France

T: 00 44 (0) 1236 420199  
T: 00 1 (519) 745 1158  
T: 00 49 (180) 1111 881  
T: 00 33 (0)1 7036 7473

E: enquiries@tannoy.com  
E: inquiries@tannoyna.com  
E: info@tannoy.com  
E: ventes@tannoy.com

# tannoy.com



# Di5 / Di5t

# TANNOY®

## TECHNICAL SPECIFICATIONS

System	Di5 / Di5t
Frequency Response (-3dB) <sup>(1)</sup>	90Hz - 25kHz
Frequency Range (-10dB) <sup>(1)</sup>	80Hz - 30kHz
System Sensitivity (1W @1m) <sup>(2)</sup>	88dB (1W = 2.45V for 6 Ohms)
Dispersion (-6dB)	90 degrees conical
<b>Driver Complement</b>	
Low Frequency	1 x 110mm (4.50")
High Frequency	Mineral loaded polypropylene ICT™
<b>Crossover</b>	7kHz Inductively coupled
<b>Directivity Factor (Q)</b>	5.3 averaged 1kHz to 10kHz
<b>Directivity Index (DI)</b>	6.6 averaged 1kHz to 10kHz
<b>Rated Maximum SPL 2</b>	105dB (average) (103dB - 30W tapping on transformer) 111dB (peak)
<b>Power Handling</b>	
Average	50W
Programme	100W
Peak	200W
<b>Recommended Amplifier Power</b>	100W @ 6 Ohms
<b>Nominal Impedance</b>	6 Ohms

Di5t only - Transformer Taps (top rotary switch)	
70V	30W / 15W / 7.5W / 3.75W / OFF & low impedance operation
100V	30W / 15W / 7.5W / OFF & low impedance operation

Distortion		
<b>10% Full Power (5.5V)</b>	2nd Harmonic	3rd Harmonic
250Hz	2.00%	0.26%
1kHz	0.53%	0.19%
10kHz	2.5%	0.35%
<b>1% Full Power (1.73V)</b>	2nd Harmonic	3rd Harmonic
250Hz	0.65%	0.09%
1kHz	0.144%	0.11%
10kHz	0.52%	0.298%

Construction	
<b>Enclosure</b>	High Impact Polystyrene (HIPS) rated IP64 to EN60529 (IEC529)
<b>Grille</b>	Steel, with weather resistant coating
<b>Finish</b>	Textured black or white paint (custom trim colours can be supplied pre-fitted to special order - minimum order quantity applies)
<b>Connectors</b>	Euroblock type removable locking connector with screw terminals with "loop through" facility
<b>Fittings</b>	1 x K-Ball™ bracket socket 2 x M8 yoke bracket inserts
<b>Supplied Accessories</b>	Yoke bracket
<b>Optional Accessories</b>	Pole mount adaptor K-Ball™ pre-wired multi angle bracket
<b>Dimensions</b>	240.7 x 155 x 162mm (9.47 x 6.1 x 6.38")
<b>NET Weight</b>	2.7kg (5.94lbs)

#### Notes

(1) Average over stated bandwidth. Measured at 1 metre on axis.

(2) Unweighted pink noise input, measured at 1 metre in an anechoic chamber

A full range of measurements, performance data, and Ease™ Data can be downloaded from [www.tannoy.com](http://www.tannoy.com)

Tannoy operates a policy of continuous research and development. The introduction of new materials or manufacturing methods will always equal or exceed the published specifications, which Tannoy reserves the right to alter without prior notice. Please verify the latest specifications when dealing with critical applications.

### Ordering Information

PART NUMBER	MODEL NAME	COLOUR	PACKED QUANTITY	PACKED WEIGHT
8001 4010	Di5	Black	2	3.0 (6.61lb)
8001 4011	Di5	White	2	3.0 (6.61lb)
8001 4020	Di5t	Black	2	3.5kg (7.72lbs)
8001 4021	Di5t	White	2	3.5kg (7.72lbs)

Tannoy United Kingdom  
Tannoy North America  
Tannoy Deutschland  
Tannoy France

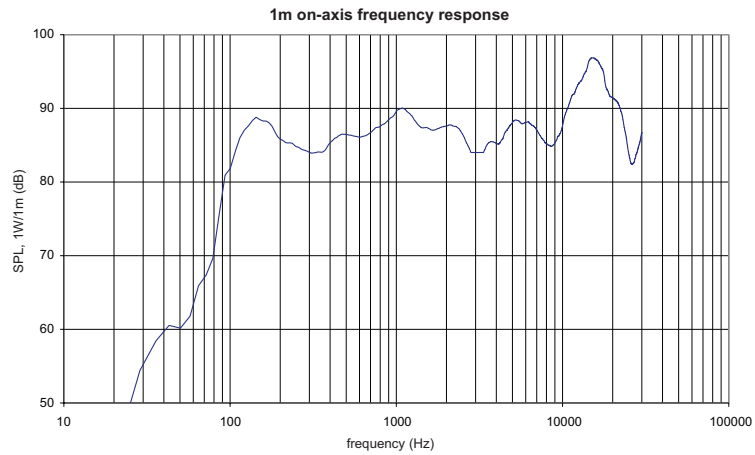
T: 00 44 (0) 1236 420199  
T: 00 1 (519) 745 1158  
T: 00 49 (180) 1111 881  
T: 00 33 (0)1 7036 7473

E: [enquiries@tannoy.com](mailto:enquiries@tannoy.com)  
E: [inquiries@tannoyna.com](mailto:inquiries@tannoyna.com)  
E: [info@tannoy.com](mailto:info@tannoy.com)  
E: [ventes@tannoy.com](mailto:ventes@tannoy.com)

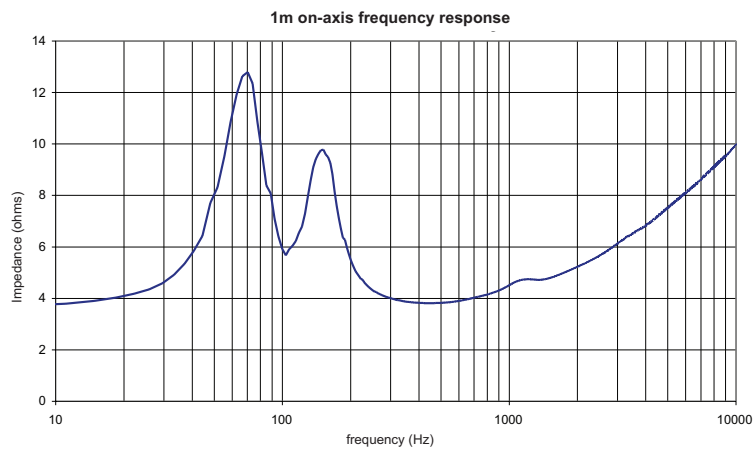
# tannoy.com



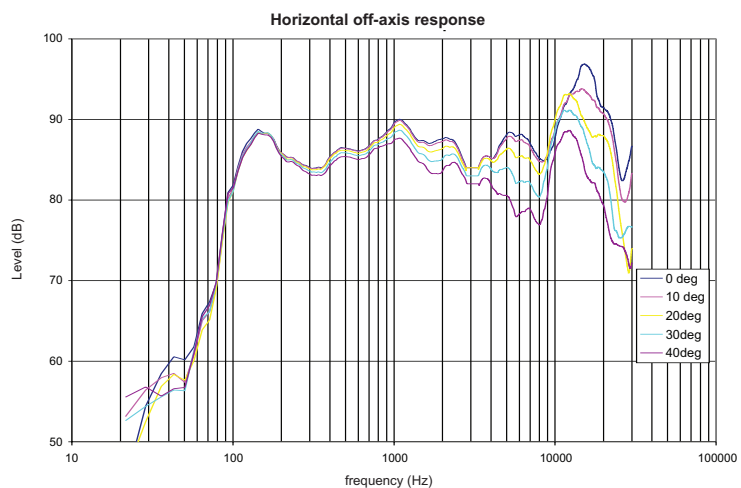
## PERFORMANCE MEASUREMENTS



ANECHOIC  
FREQUENCY  
RESPONSE



IMPEDANCE



OFF AXIS  
RESPONSE

Tannoy United Kingdom  
Tannoy North America  
Tannoy Deutschland  
Tannoy France

T: 00 44 (0) 1236 420199  
T: 00 1 (519) 745 1158  
T: 00 49 (180) 1111 881  
T: 00 33 (0)1 7036 7473

E: enquiries@tannoy.com  
E: inquiries@tannoyna.com  
E: info@tannoy.com  
E: ventes@tannoy.com

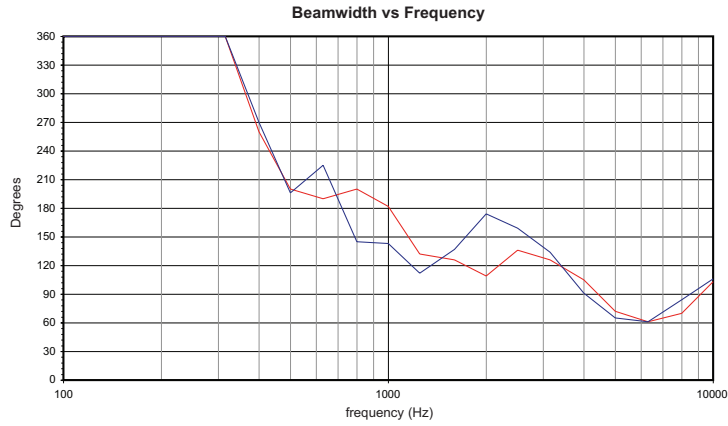
tannoy.com



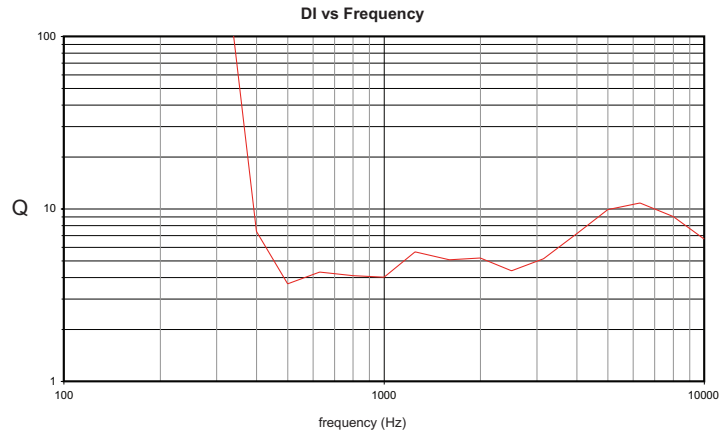
# Di5t

# TANNOY®

## PERFORMANCE MEASUREMENTS



BEAMWIDTH



DIRECTIVITY INDEX

Tannoy United Kingdom  
 Tannoy North America  
 Tannoy Deutschland  
 Tannoy France

T: 00 44 (0) 1236 420199  
 T: 00 1 (519) 745 1158  
 T: 00 49 (180) 1111 881  
 T: 00 33 (0)1 7036 7473

E: enquiries@tannoy.com  
 E: inquiries@tannoyna.com  
 E: info@tannoy.com  
 E: ventes@tannoy.com

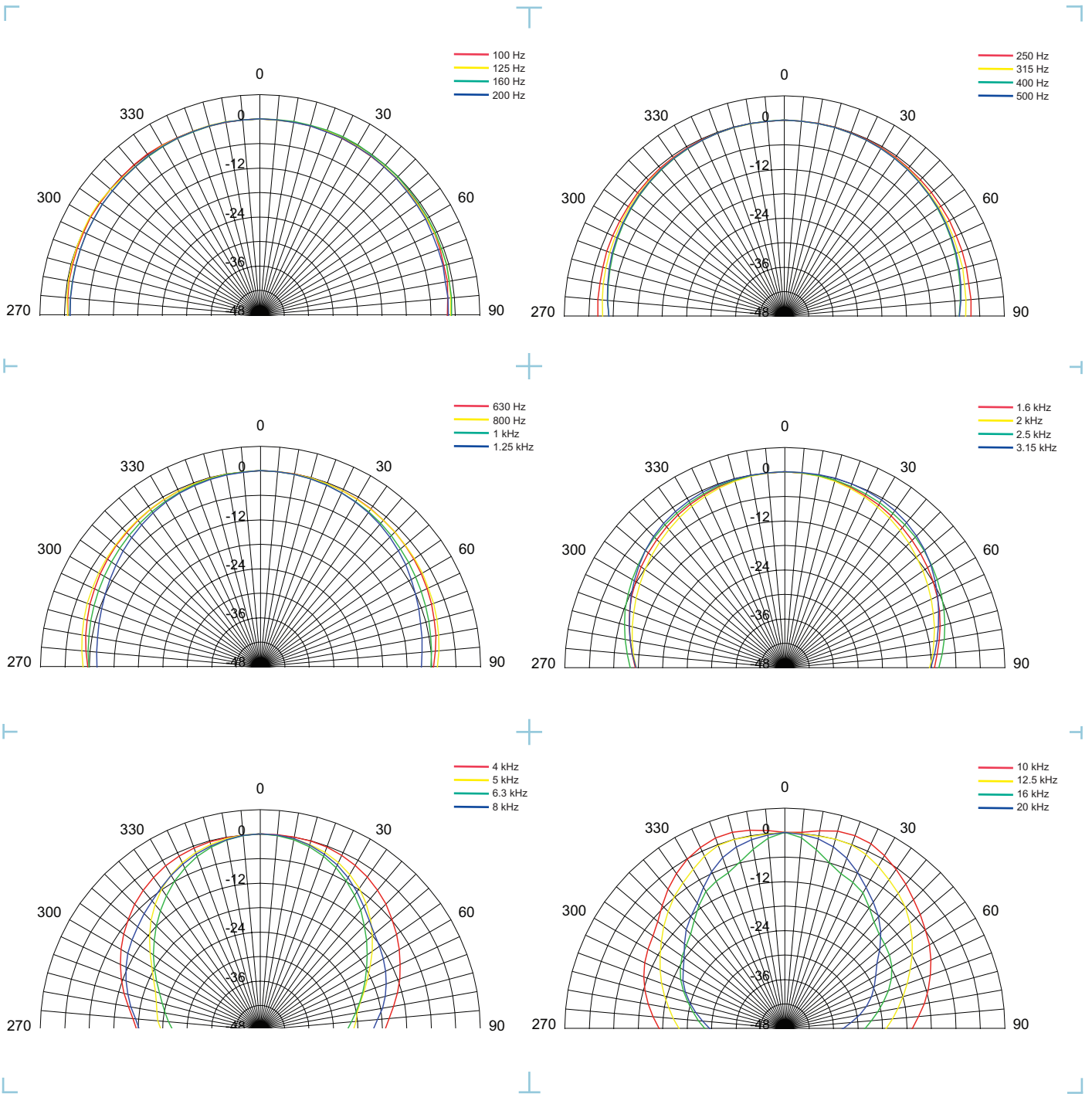
tannoy.com



# Di5t

# TANNOY®

## PERFORMANCE MEASUREMENTS POLAR PLOTS (1/3 OCTAVE)



Tannoy United Kingdom  
 Tannoy North America  
 Tannoy Deutschland  
 Tannoy France

T: 00 44 (0) 1236 420199  
 T: 00 1 (519) 745 1158  
 T: 00 49 (180) 1111 881  
 T: 00 33 (0)1 7036 7473

E: enquiries@tannoy.com  
 E: inquiries@tannoyna.com  
 E: info@tannoy.com  
 E: ventes@tannoy.com

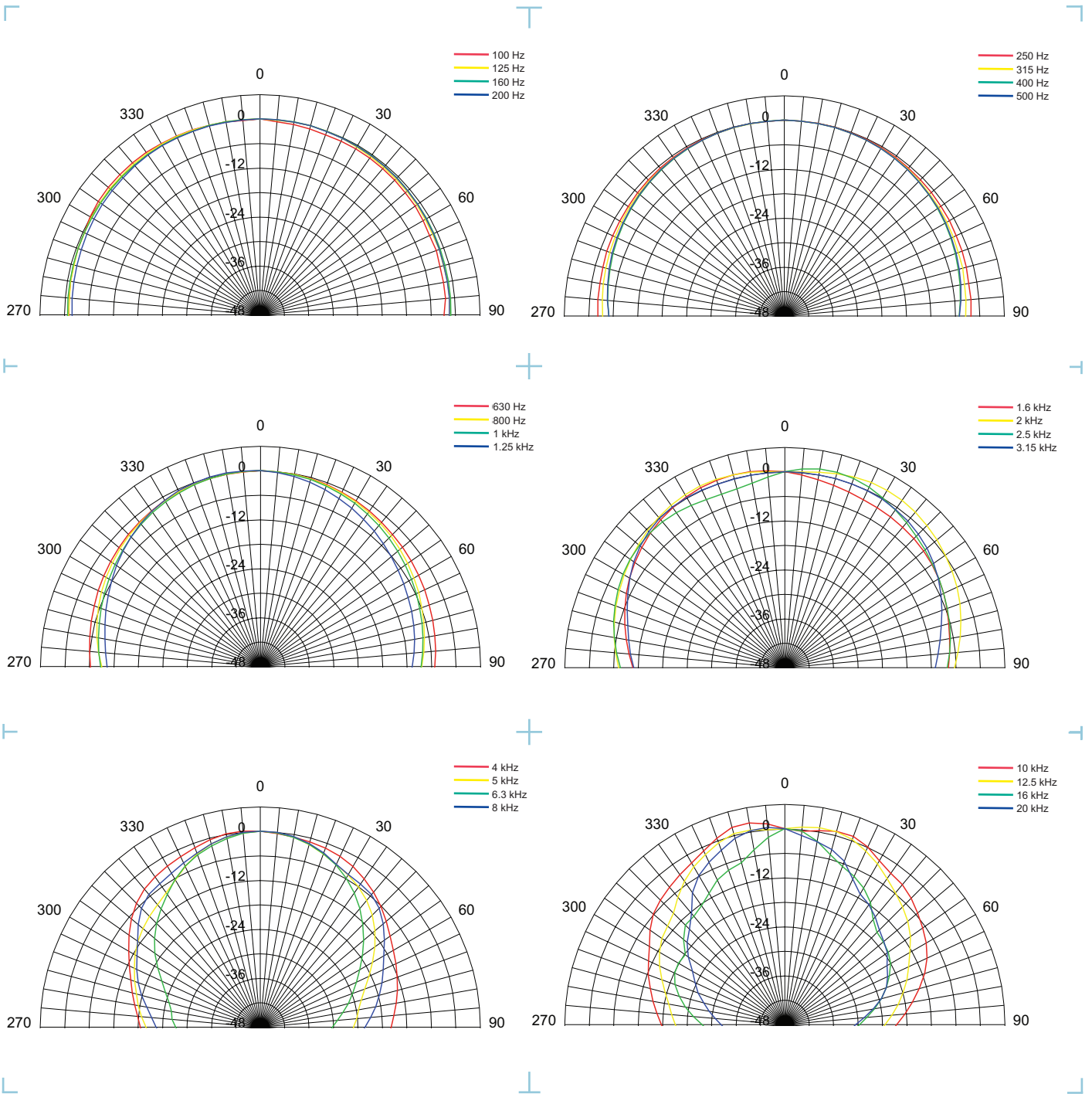
tannoy.com



# Di5 / Di5t

# TANNOY®

## PERFORMANCE MEASUREMENTS POLAR PLOTS (1/3 OCTAVE)



Tannoy United Kingdom  
 Tannoy North America  
 Tannoy Deutschland  
 Tannoy France

T: 00 44 (0) 1236 420199  
 T: 00 1 (519) 745 1158  
 T: 00 49 (180) 1111 881  
 T: 00 33 (0)1 7036 7473

E: enquiries@tannoy.com  
 E: inquiries@tannoyna.com  
 E: info@tannoy.com  
 E: ventes@tannoy.com

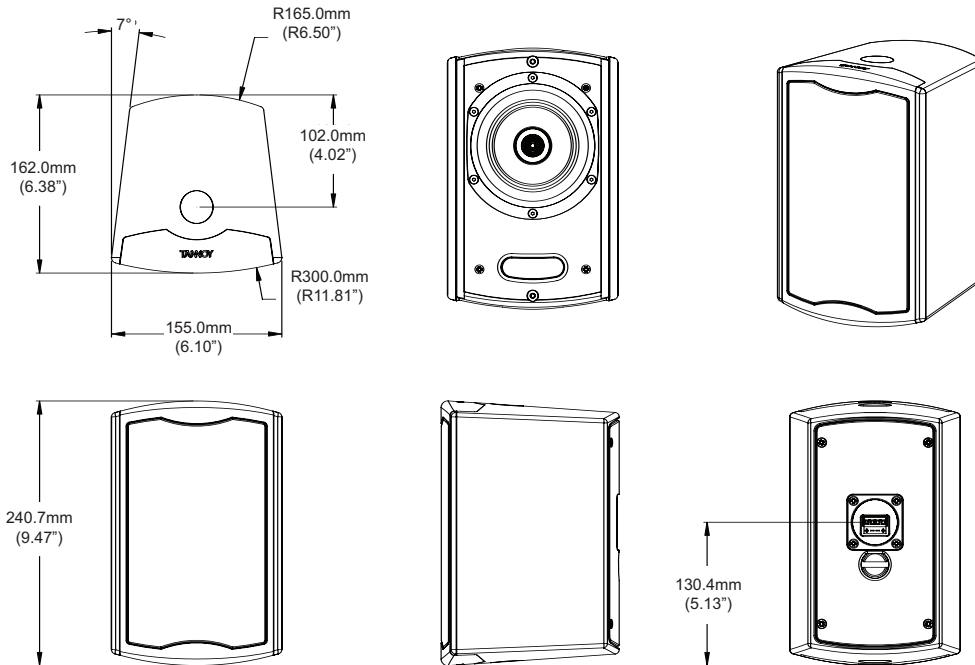
tannoy.com



# Di5 / Di5t

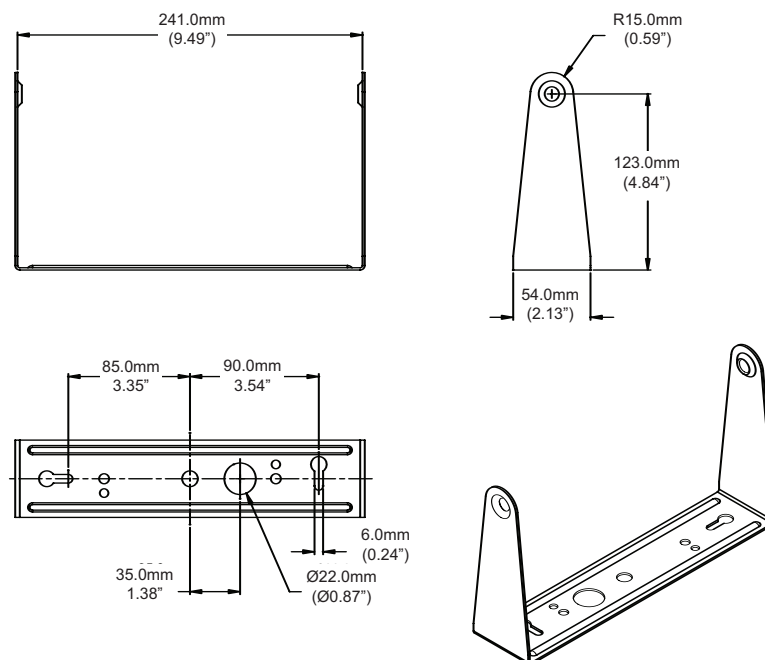
# TANNOY®

## DIMENSIONAL SKETCHES



## SUPPLIED MOUNTING BRACKET

### Di5 Yoke



Tannoy United Kingdom  
 Tannoy North America  
 Tannoy Deutschland  
 Tannoy France

T: 00 44 (0) 1236 420199  
 T: 00 1 (519) 745 1158  
 T: 00 49 (180) 1111 881  
 T: 00 33 (0)1 7036 7473

E: enquiries@tannoy.com  
 E: inquiries@tannoyna.com  
 E: info@tannoy.com  
 E: ventes@tannoy.com

tannoy.com

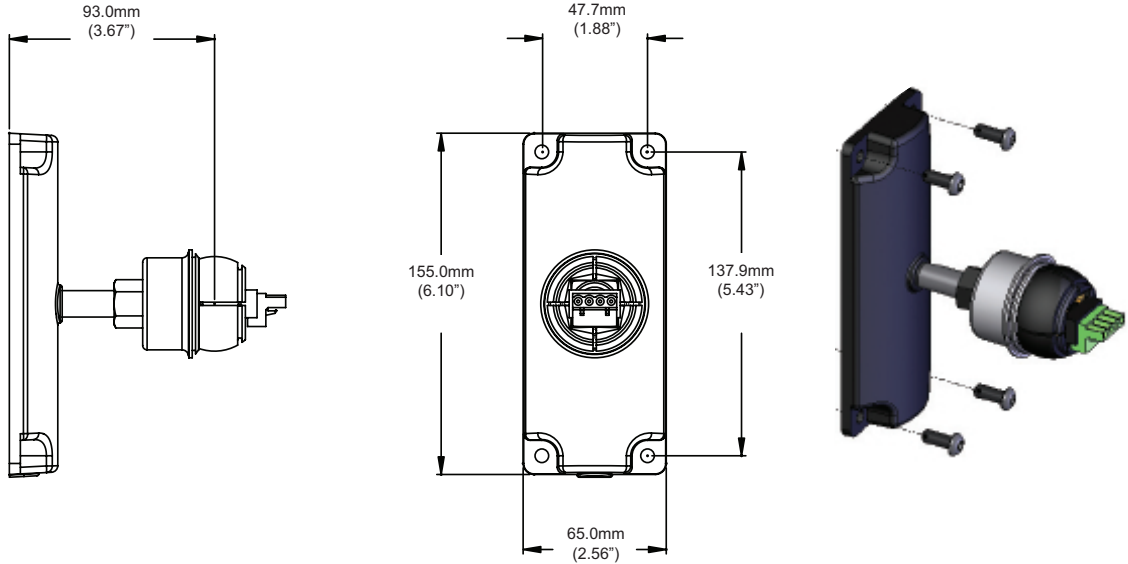


# Di5 / Di5t

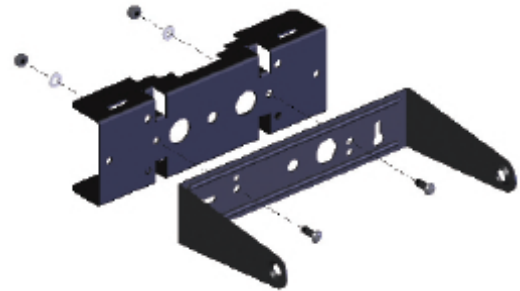
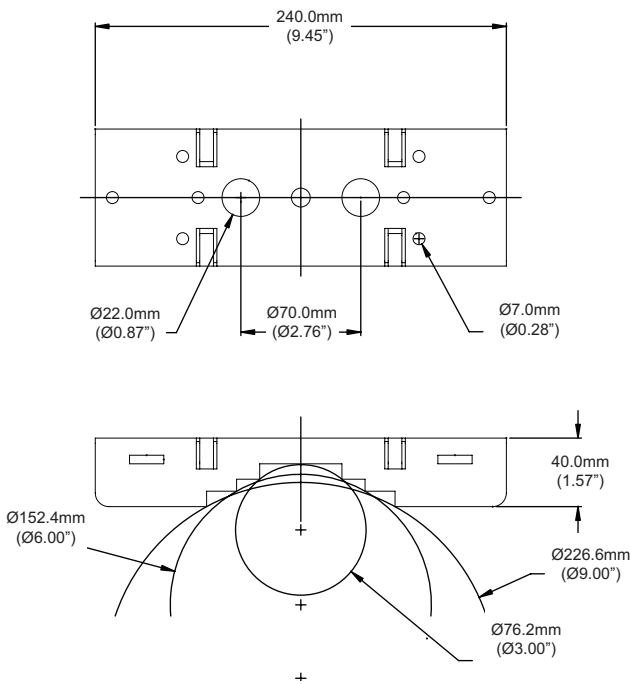
TANNOY®

## OPTIONAL ACCESSORIES

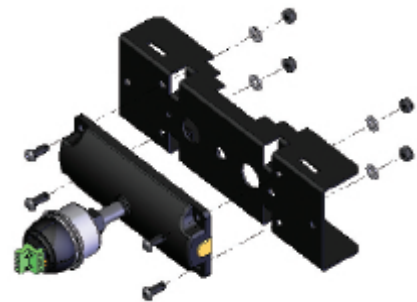
### K-Ball™ Bracket



### Pole Mount Adapter



Pole Mount Adapter with Yoke bracket



Pole Mount Adapter with K-Ball™ bracket

### Ordering Information

PART NUMBER	MODEL NAME	COLOUR	PACKED QUANTITY
8001 4190	K-Ball™ Bracket	Black	1
8001 4191	K-Ball™ Bracket	White	1
8001 4600	Pole Mount Adapter	Black	1
8001 4601	Pole Mount Adapter	White	1

Tannoy United Kingdom  
Tannoy North America  
Tannoy Deutschland  
Tannoy France

T: 00 44 (0) 1236 420199  
T: 00 1 (519) 745 1158  
T: 00 49 (180) 1111 881  
T: 00 33 (0)1 7036 7473

E: enquiries@tannoy.com  
E: inquiries@tannoyna.com  
E: info@tannoy.com  
E: ventes@tannoy.com

tannoy.com





# Di5 / Di5t

TANNOY®

## Architectural specifications Di5

The weather resistant, full bandwidth surface mount speaker system shall consist of a 110mm (4.50") full range, point source ICT™ transducer mounted in an optimally tuned vented, injection moulded high impact polystyrene (HIPS) enclosure, rated IP64 to EN60529 (IEC529). The protective grille shall be constructed from steel with a weather resistant coating.

Performance of the Di5 surface mount speaker shall meet or exceed the following criteria: The system shall have a conical coverage pattern of 90 degrees (-6dB). Frequency response measured on axis shall be 80Hz - 30kHz (-10dB from rated sensitivity, average over stated bandwidth. Measured at 1 metre in an anechoic chamber) with no equalisation. Sensitivity shall be 88dB (1W = 2.45V for 6 Ohms). Long term power handling capacity as defined in EIA-426B test shall be 50W, recommended amplifier power 100W. The nominal system impedance shall be 6 Ohms (in low impedance setting).

A termination recess shall be integrated with the rear panel, a removable Euroblock type locking connector with screw terminals for secure wire termination with "loop through" facility shall be provided. A yoke mounting bracket shall be included with the speaker system and additional security shall be provided by a tie back point.

The dimensions shall not exceed 240.7 x 155 x 162mm (9.47 x 6.10 x 6.38").

The surface mount speaker system shall be the.....Di5.

## Architectural specifications Di5t

The weather resistant, full bandwidth surface mount speaker system shall consist of a 110mm (4.50") full range, point source ICT™ transducer mounted in an optimally tuned vented, injection moulded high impact polystyrene (HIPS) enclosure, rated IP64 to EN60529 (IEC529). The protective grille shall be constructed from steel with a weather resistant coating.

Performance of the Di5t surface mount speaker shall meet or exceed the following criteria: The system shall have a conical coverage pattern of 90 degrees (-6dB). Frequency response measured on axis shall be 80Hz - 30kHz (-10dB from rated sensitivity, average over stated bandwidth. Measured at 1 metre in an anechoic chamber) with no equalisation. Sensitivity shall be 88dB (1W = 2.45V for 6 Ohms). Long term power handling capacity as defined in EIA-426B test shall be 50W, recommended amplifier power 100W. The nominal system impedance shall be 6 Ohms (in low impedance setting).

The Di5t speaker system shall be equipped with a 30W high performance line transformer for use in 70.7 or 100 Volt distributed audio systems with 30 / 15 / 7.5 / 3.75\* Watt, OFF and Low Impedance taps available. An easily accessible rotary switch located under the rubber trim on the top of the cabinet shall be available for selecting transformer and low impedance settings.

A termination recess shall be integrated with the rear panel, a removable Euroblock type locking connector with screw terminals for secure wire termination with "loop through" facility shall be provided. A yoke mounting bracket shall be included with the speaker system and additional security shall be provided by a tie back point.

The dimensions shall not exceed 240.7 x 155 x 162mm (9.47 x 6.10 x 6.38").

The surface mount speaker system shall be the.....Di5t.

\*70 Volt only

Tannoy United Kingdom  
Tannoy North America  
Tannoy Deutschland  
Tannoy France

T: 00 44 (0) 1236 420199  
T: 00 1 (519) 745 1158  
T: 00 49 (180) 1111 881  
T: 00 33 (0)1 7036 7473

E: enquiries@tannoy.com  
E: inquiries@tannoyna.com  
E: info@tannoy.com  
E: ventes@tannoy.com

tannoy.com

