

1/3" Vari-Focal with DC Auto-Iris 2.5–6mm F1.4 – CS-Mount

Compatible with 1/3" Cameras

SPECIFICATIONS

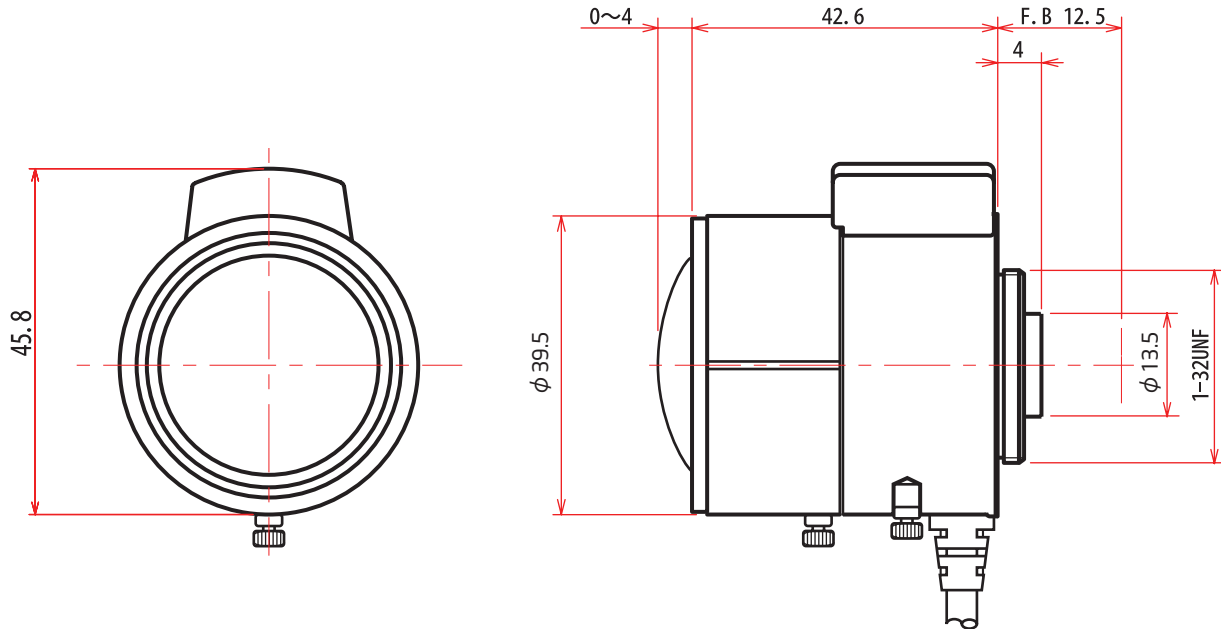
Aspherical Lens + Wide Vari-Focal

Focal Length	2.5 ~ 6 mm
Maximum Relative Aperture	1:1.4
Iris	F1.4 - Approx. 125 (With ND Spot Filter)
Angular Field of View	107.6° x 80.9° at 2.5 mm 45.6° x 34.2° at 6 mm
Image Format	4.8 x 3.6 mm (∅6 mm)
Minimum Object Distance	0.2m (From Front Vertex)
Optical Back Focal Distance	8.72 ~ 14.24 mm (In Air)

Flange Back	12.5 mm
Operation Voltage	Close to Open : Less than 4.0 V Open to Close : More than 0 V
Operation Focus	Manual
Operation Zoom	Manual
Operation Iris	IG (Auto Close System)
Operation Temperature	- 10 °C ~ 50 °C / 14 °F ~ 122 °F
Mount	CS-Mount (Adjustable Lens Position)
Size, Weight	∅39.5 x 45.8(W) x 42.6(D) mm, Approx. 90g

DIMENSIONS

UNIT: mm



CIRCUIT DIAGRAM

