

1/2" Fixed Focal Length Video Auto-IRIS 6mm F1.4 – C-Mount

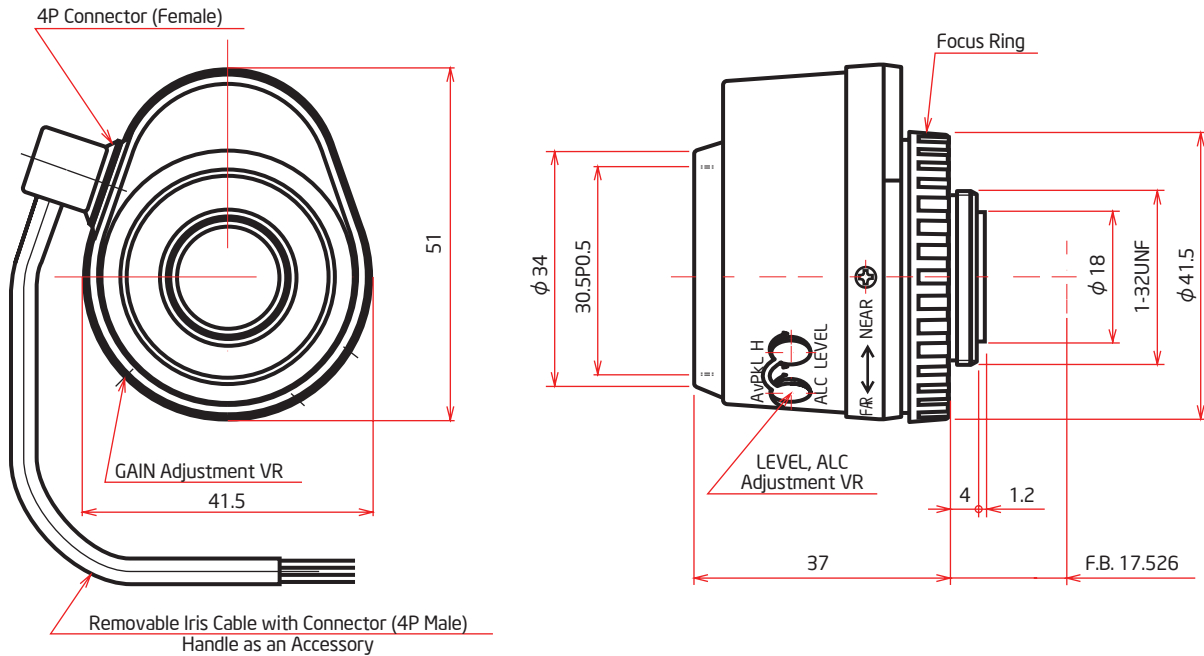
Compatible with 1/2", 1/3", 1/4" Cameras

SPECIFICATIONS

Focal Length	6mm	Photometry Range	Approx. 40% - 70% Variable to Vp-p
Maximum Relative Aperture	1:1.4	Input Impedance	High Impedance
Iris	F1.4- Approx. 360 (With ND Spot Filter)	Operation Focus	Manual
Sensitivity Adjustment	0.5 - 1Vp-p (Image Signal)	Operation Iris	EE (DC+8 to 16V : Fixed Voltage, Max 40mA) Speed Within 4sec. (Auto Close System)
Angular Field of View	56.1° x 43.6°	EE Mechanism	The built-in EE Amp amplifies the difference between the video signal from the camera and the preset Iris signal level. It causes the Iris to change size.
Image Format	6.4 x 4.8 mm (∅8 mm)	EE Accuracy :	With Input Video Signal 0.7Vp-p Within +/-10% of Mean Value
Minimum Object Distance	0.2 m (From Front Vertex)	Operation Temperature	- 10 °C ~ 50 °C / 14 °F ~ 122 °F
Object Dimensions at M.O.D.	22.7 x 17.4 cm	Mount	C-Mount (Adjustable Lens Position)
Optical Back Focal Distance	13.93 mm (In Air)	Front Thread	30.5 mm P0.5
Flange Back	17.526 mm	Size	51(W) x 41.5(H) x 37(D) mm, Approx. 55g
Input Signal	Composite Video Signal or Video Signal		

DIMENSIONS

UNIT: mm



CIRCUIT DIAGRAM

