

1/2" Motorized Zoom with DC Auto-Iris 6.5-104mm F-1.4 C-Mount

Compatible with 1/2", 1/3" Cameras

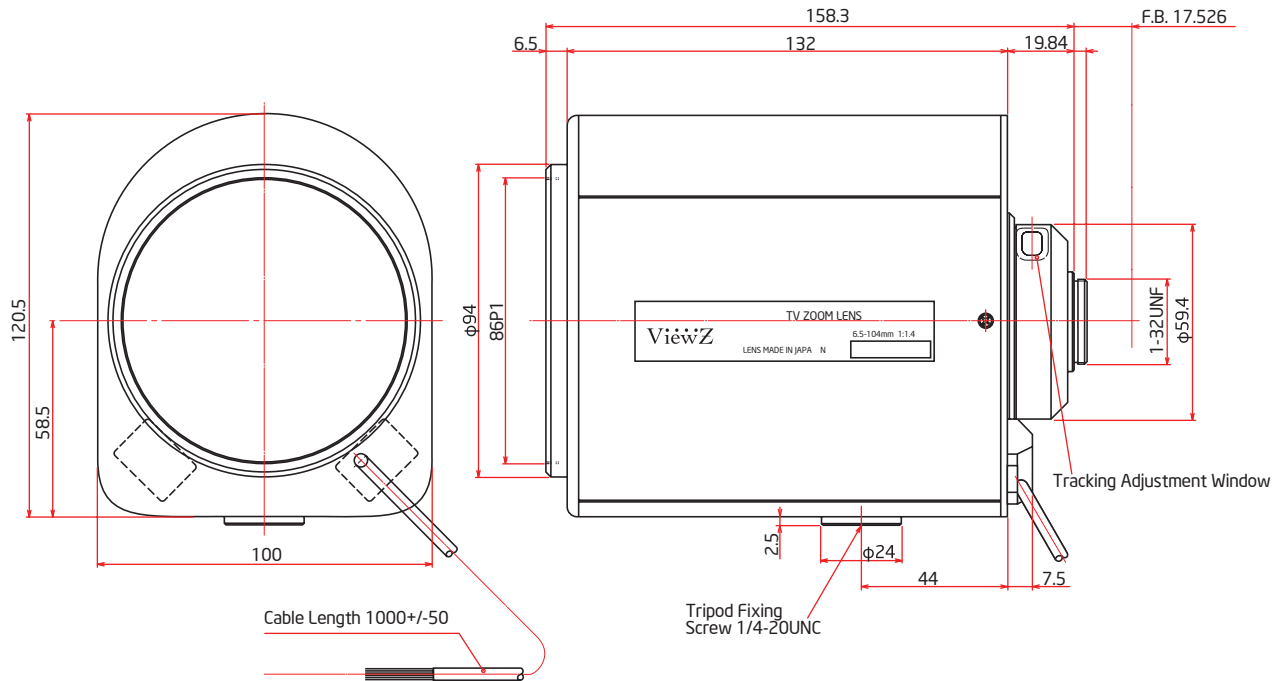
SPECIFICATIONS

High Resolution 16x Motorized Zoom Lens

Focal Length	6.5 - 104 mm	Flange Back	17.526 mm
Maximum Relative Aperture	1:1.4 at 6.5 - 80mm 1:1.6 at 104mm	Operation	Zoom Motorized(DC+/-6.4V, Max80mA) Speed Approx. 9sec.
Iris	F1.4 - Close	Focus	Motorized(DC+/-6.4V, Max80mA) Speed Approx. 17sec.
Zoom Ratio	10 X	Iris	Motorized(DC+/-6.4V, Max50mA) Speed Approx. 2.5sec.
Angular Field of View	52.4° x 40.5° at 6.5 mm 3.5° x 2.6° at 104 mm	Operation Temperature	- 10 °C ~ 50 °C / 14 °F ~ 122 °F
Image Format	6.4 x 4.8 mm (∅8 mm)	Mount	C-Mount (Adjustable Lens Position)
Minimum Object Distance	1.5 m (From Front Vertex)	Front Thread	86 mm P 1
Object Dimensions at M.O.D.	147.6 x 110.7cm at 6.5 mm 9.2 x 6.8cm at 104 mm	Size, Weight	120.5(W) x 100(H) x 158.3(D) mm, Approx. 1.5kg
Optical Back Focal Distance	16.14 mm (In Air)		

DIMENSIONS

UNIT: mm



CIRCUIT DIAGRAM

