

EVID P2.1



Electro-Voice

- 2-inch full-range transducer—acoustically matched to ceiling and surface-mount satellite versions.
- Attractive compact design.
- Concealed wire connection with pass-thru Phoenix plug for easy wiring.
- UL-rated quick-mount pendant cable included.
- Available in white finish.



The EVID P2.1 Pendant Mount Satellite Speaker is a companion speaker option to the EVID Compact Sound Speaker System offering from Electro-Voice . It provides a convenient way to equip open ceiling spaces with sound where conventional surface or ceiling mount speakers cannot be used. The 2-inch (50 mm) transducer provides matched performance to the other Compact Sound Satellite speaker models. The unit comes complete with a UL rated mounting cable and can be used in any combination with the Compact Sound ceiling or surface mount subwoofers and satellite speaker models. It's ideal for use in a wide variety of environments and spaces to provide high quality background or foreground music.

Technical specifications

	EVID P2.1
Frequency Response (-10 dB):	150 Hz - 20 kHz ¹
Power Handling:	30 W ²
Sensitivity:	84 dB ¹
Impedance:	16 Ohms
Maximum SPL:	102 dB ¹
Voice Coverage (H x V):	150° x 150° ³
Music Program Coverage (H x V):	100° x 100° ⁴
Transducer:	50 mm (1.97 in)

	EVID P2.1
Connectors:	Phoenix (4-pin)
Enclosure:	ABS (fire rated)
Dimensions (H x Dia):	201 mm x 113 mm (7.92 in x 4.45 in)
Net Weight: (1 pendant and 1 suspension cable)	0.73 kg (1.6 lb)
Shipping Weight: (2 pendants and 2 suspension cables)	2.04 kg (4.5 lb)
Support Hardware:	(2) Pendant suspension cables
Approvals:	UL1480, CE

1. Full space.
2. Long Term Program Rating, 3 dB greater than continuous notes pink noise rating.
3. Average 1 kHz – 4 kHz.
4. Average 1 kHz – 8 kHz.

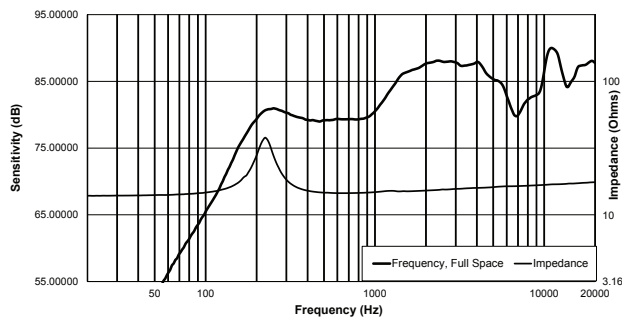
	Pendant Suspension Cable
Material:	Steel wire rope
Working Load Limit:	10 kg (22 lb)
Length:	4.57 m (15 ft)
Approvals:	UL2442

System overview

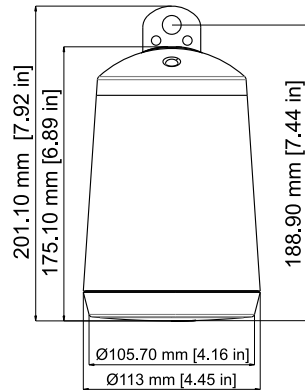
Architecture and Engineering Specifications:

The loudspeaker system shall consist of a single 2-inch (50 mm) transducer, installed in a round enclosure designed to be hung from a UL listed cable and clamp. All signal connections for the speaker shall be made using 4 pin phoenix style connectors with signal pass thru. The speaker shall have a top cover attached with screws to conceal all wire connections. The loudspeaker system shall meet the following performance criteria: Power handling, 30 watts of Long Term Program Rating; Frequency response, 150 Hz - 20 kHz (-10 dB from rated sensitivity); Impedance, 16 ohms nominal. The transducer in the speakers shall provide even coverage of a minimum 100° conically averaged over frequency range of 1 – 8 kHz and a minimum 150° conical averaged over a frequency range of 1 – 4 kHz. The speakers shall be constructed of fire rated ABS. The enclosure shall be 7.92 inch (201 mm) high and 4.45 inch (113 mm) in diameter. The pendant mount loudspeaker system shall be the EVID P2.1 model.

Frequency response:



Dimensions:



Parts included

Quantity	Description
2	EVID P2.1 pendant mount satellite speakers
2	Pendant suspension cables

Quantity	Description
2	Couplers
6	Wire cap screws
1	Installation manual

Ordering information

EVID P2.1

Pendant mount satellite speaker; white
Order number **EVID-P2.1**

Represented by:

Germany:

Bosch Sicherheitssysteme GmbH
Robert-Bosch-Ring 5
85630 Grasbrunn
Germany

Bosch Security Systems, Inc.
12000 Portland Avenue South
Burnsville MN 55337
USA

www.electrovoice.com