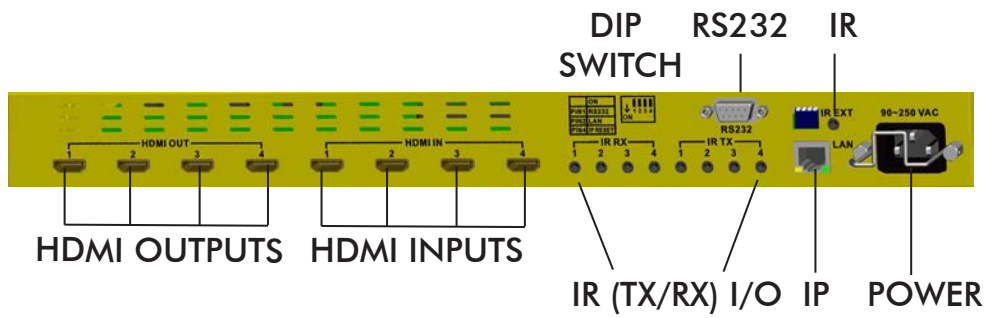
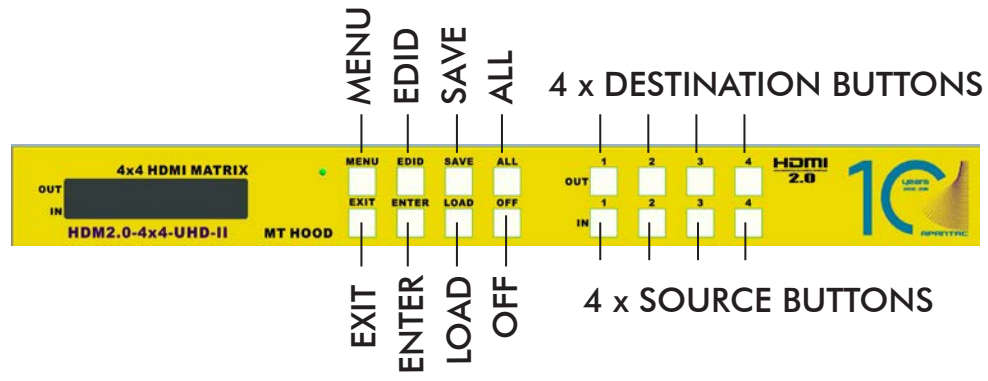


HDMI 2.0 UHD 4X4 MATRIX

HDM2.0-4X4-UHD-II

- Supports HDCP 2.2 and 1.4 and HDR
- Supports resolutions up to 4K@60Hz at 4:4:4 (8bit)
- Supports high definition audio (LPCM 7.1, Dolby TrueHD and DTS-HD Master Audio)
- EDID management (copy from output 1) or built-in internal EDID
- Store up to 4 presets
- Supports IR pass-through on all I/O ports
- Supports IR pass-through on all frequencies
- Supports IR pass-through on duplex transmissions between Input and Outputs
- Can be controlled via IR remote control
- Can be controlled via RS-232
- Supports IP control via Telnet, TCP and built-in web server interface
- 1 RU



ACCESSORIES

REMOTE CONTROL



IR CABLE

