

CRESCENT - SI-16

COST EFFECTIVE 16X1 IP (ST-2022-6) MULTIVIEWER

Key Features

- Accepts 16 ST-2022-6 inputs via SFP modules
- Can be upgraded to ST-2022-7 and ST-2110
- Windows can be sized and moved freely
- Decode up to 16 embedded audio per input
- Total of 128 audio meters
- 2 simultaneous and identical HDMI and SDI outputs
- Ethernet for configuration and external control
- Dynamic UMD/labels & Tallies (TSL)
- Stand alone labels, customizable logos
- 32 GPIs for tallies, counter controls or preset recalls
- 2 digital and 2 analog clocks/counters can be sync'd with LTC or NTP
- Borders with adjustable width/color
- Two sets of Safe area markers per window
- Visual Alarm tags for video/audio alarm detection
- Audio monitoring output pairs - AES, Embedded SDI and HDMI outputs
- 3 year limited warranty

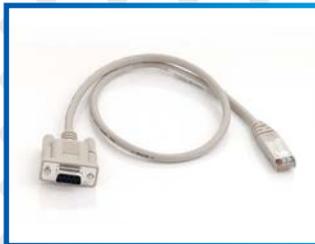


Standard Accessories

- Rack mount
- 4 x RJ50 to DB9 for GPI
- 4 x breakout terminal blocks
- RJ45 to DB9 for serial
- CD (software, manual)

Options

- Redundant power supply
- ATC/VITC Display License



RJ50-DB9: GPI Adapter



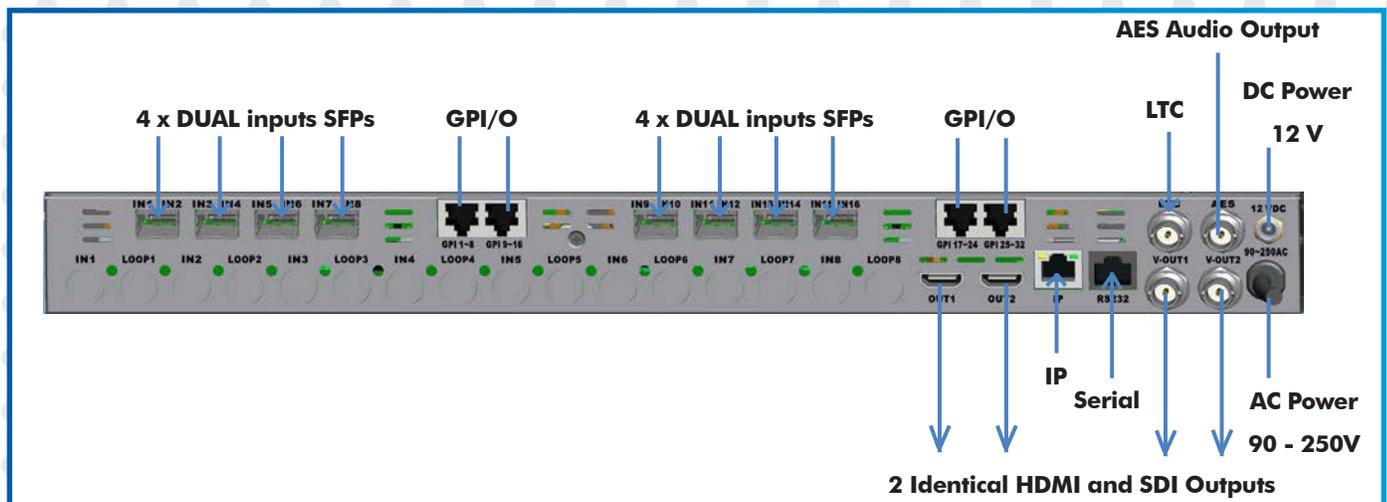
RJ45-DB9: RS232 Adapter



DB9 GPI Breakout



SFP Module w/ LC/PC



CRESCENT - SI-16+ (PLUS) COST EFFECTIVE DUAL OUTPUT (8+8) IP (ST-2022-6) MULTIVIEWER

Key Features

- Accepts 16 ST-2022-6 inputs via SFP modules
- Can be upgraded to ST-2022-7 and ST-2110
- Windows can be sized and moved freely
- Decode up to 16 embedded audio per input
- Total of 128 audio meters
- 2 separate independent outputs with 8 inputs each
- Simultaneous HDMI and SDI outputs
- Ethernet for configuration and external control
- Dynamic UMD/labels & Tallies (TSL)
- Stand alone labels, customizable logos
- 32 GPIs for tallies, counter controls or preset recalls
- 2 digital and 2 analog clocks/counters can be sync'd with LTC or NTP
- Borders with adjustable width/color
- Two sets of Safe area markers per window
- Visual Alarm tags for video/audio alarm detection
- Audio monitoring output pairs - AES, Embedded SDI and HDMI outputs
- 3 year limited warranty



Standard Accessories

- Rack mount
- 4 x RJ50 to DB9 for GPI
- 4 x breakout terminal blocks
- RJ45 to DB9 for serial
- CD (software, manual)

Options

- Redundant power supply
- ATC/VITC Display License



RJ50-DB9: GPI Adapter



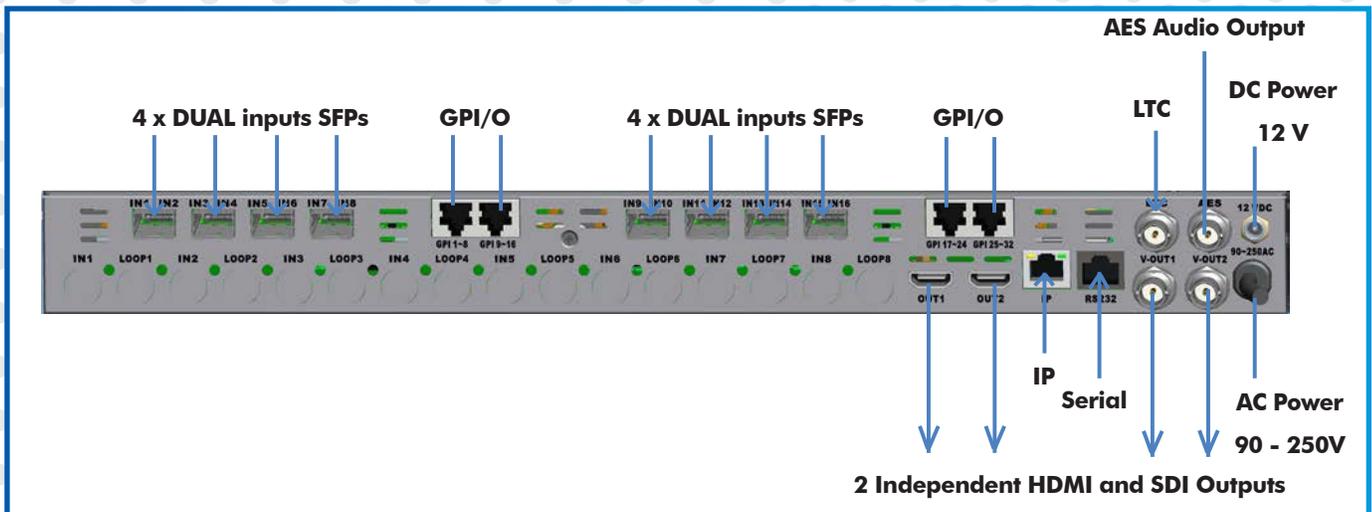
RJ45-DB9: RS232 Adapter



DB9 GPI Breakout



SFP Module w/ LC/PC



CRESCENT - SI-16# (SHARP) COST EFFECTIVE DUAL OUTPUT (16X2) IP (ST-2022) MULTIVIEWER

Key Features

- Accepts 16 ST-2022-6 inputs via SFP modules
- Can be upgraded to ST-2022-7 and ST-2110
- Windows can be sized and moved freely
- Decode up to 16 embedded audio per input
- Total of 128 audio meters
- Ethernet for configuration and external control
- Dynamic UMD/labels & Tallies (TSL)
- Stand alone labels, customizable logos
- 32 GPIs for tallies, counter controls or preset recalls
- 2 digital and 2 analog clocks/counters can be sync'd with LTC or NTP
- Borders with adjustable width/color
- Two sets of Safe area markers per window
- Visual Alarm tags for video/audio alarm detection
- Audio monitoring output pairs - AES, Embedded SDI and HDMI outputs
- 3 year limited warranty



Standard Accessories

- Rack mount
- 4 x RJ50 to DB9 for GPI
- 4 x breakout terminal blocks
- RJ45 to DB9 for serial
- CD (software, manual)

Options

- Redundant power supply
- ATC/VITC Display License



RJ50-DB9: GPI Adapter



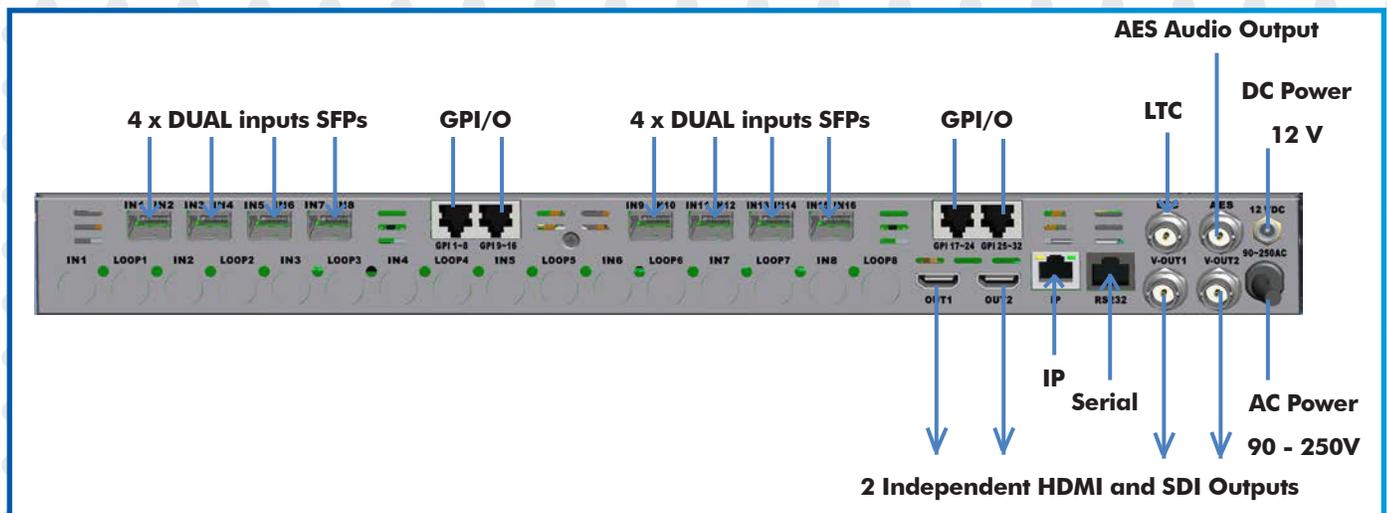
RJ45-DB9: RS232 Adapter



DB9 GPI Breakout



SFP Module w/ LC/PC



Si-16 SPECIFICATIONS			
Inputs	16 ST-2022-6	Video Outputs	2 identical HDMI, SDI
		Audio Outputs	AES and embedded SDI and HDMI audio pair monitor outputs
Connectors	LC/PC multi-mode Fiber	Output Resolution	1920 x 1080p 50/60Hz
Total Windows	16	On Screen Display	Borders, labels, tally UMD, OMD, IMD, dynamic UMD
Supported Resolutions	480i, 576i, 720P, 1080i, 1080P 50/59.94/60Hz	General Purpose IO	Up to 32 inputs with RJ50 - DB9 connectors
		Serial Port	Connector: RJ45, Baud Rate up to 115200 Format, TSL, TSI, AXP
		IP	100 Base-Tx, TSL, AXP Connector: RJ45
Embedded Audio	16 channels	Electrical	50W, 90-250V 50/60 Hz
Alarms	No audio, audio high/low, no video	EMI/RFI	Complies with FCC Part 15 Class A, CE, EU EMC, C-tick
Power	90-250 AC / 12 DC	Size	1 RU, 25 cm (10")

Si-16+ SPECIFICATIONS			
Inputs	16 ST-2022-6	Video Outputs	2 independent HDMI, SDI outputs
		Audio Outputs	AES and embedded SDI and HDMI audio pair monitor outputs
Connectors	LC/PC multi-mode Fiber	Output Resolution	1920 x 1080p 50/60Hz
Total Windows	8+8	On Screen Display	Borders, labels, tally UMD, OMD, IMD, dynamic UMD
Supported Resolutions	480i, 576i, 720P, 1080i, 1080P 50/59.94/60Hz	General Purpose IO	Up to 32 inputs with RJ50 - DB9 connectors
		Serial Port	Connector: RJ45, Baud Rate up to 115200 Format, TSL, TSI, AXP
		IP	100 Base-Tx, TSL, AXP Connector: RJ45
Embedded Audio	16 channels per input	Electrical	50W, 90-250V 50/60 Hz
Alarms	No audio, audio high/low, no video	EMI/RFI	Complies with FCC Part 15 Class A, CE, EU EMC, C-tick
Power	90-250 AC / 12 DC	Size	1 RU, 25 cm (10")

Si-16# SPECIFICATIONS			
Inputs	16 ST-2022-6	Video Outputs	2 independent DVI/HDMI, SDI outputs
		Audio Outputs	AES and embedded SDI and HDMI audio pair monitor outputs
Connectors	LC/PC multi-mode Fiber	Output Resolution	1920 x 1080p 50/60Hz
Total Windows	32+	On Screen Display	Borders, labels, tally UMD, OMD, IMD, dynamic UMD
Supported Resolutions	480i, 576i, 720P, 1080i, 1080P 50/59.94/60Hz	General Purpose IO	Up to 32 inputs with RJ50 - DB9 connectors
		Serial Port	Connector: RJ45, Baud Rate up to 115200 Format, TSL, TSI, AXP
		IP	100 Base-Tx, TSL, AXP Connector: RJ45
Embedded Audio	16 channels per input	Electrical	50W, 90-250V 50/60 Hz
Alarms	No audio, audio high/low, no video	EMI/RFI	Complies with FCC Part 15 Class A, CE, EU EMC, C-tick