

MNT-CEILING-MPA



Ceiling mount with 7.5" pole for MPA adaptors.

Features

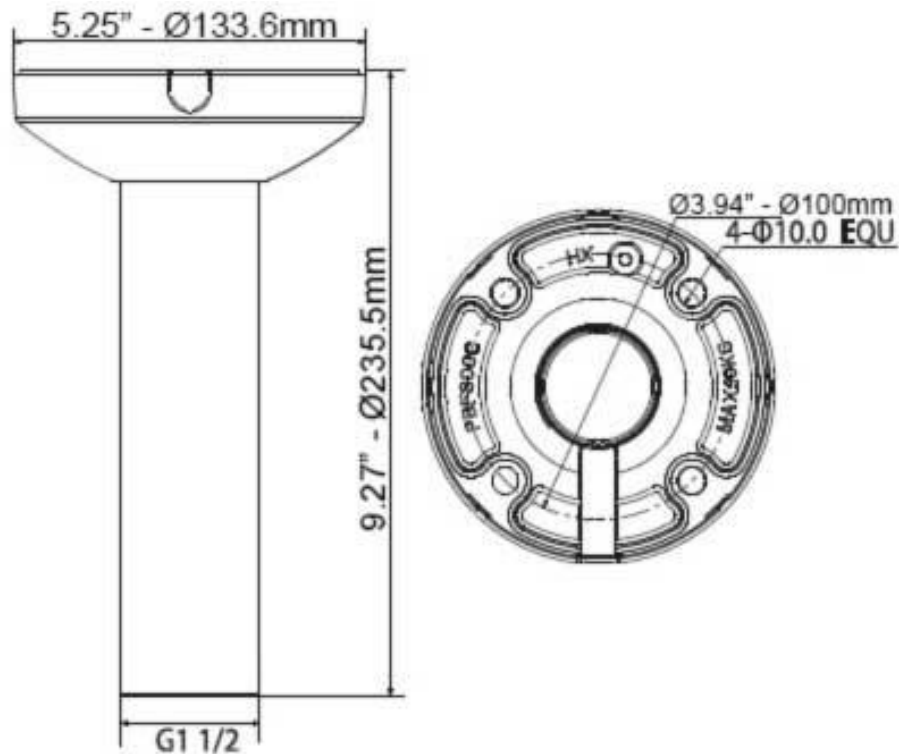
- Neat & Integrated design
- Material: Aluminum & PC



MNT-CEILING-MPA

Specifications

Model	MNT-CEILING-MPA
General	
Material	Aluminum & PC
Dimensions (WxHxD)	Φ5.23"x9.25"/Φ133mmx235mm
Pipe Thread	1 1/2" PF
Operating Temperature	-40°C ~ 60°C
Humidity	0~90% RH
Load Bearing	7.0 kg/15.43 lbs
Weight	0.75 kg/1.65 lbs



IC Realttime LLC

3050 N Andrews Avenue Extension

Pompano Beach, FL 33064

(866) 997-9009

www.icrealttime.com

Designs and specifications subject to change without notice. Copyright © 2015 IC Realttime, LLC. All rights reserved