



Model: INVISIBLE MOUNT FOR iPad MINI4 - SOLID S.

Family: WALL-SMART

DWG NO. 10-01-300-SPC



Model No.: 10-01-300

PRODUCT SPEC.

REVISION B

DATE 11/MAY/2016

Make Your Wall Smart

“INVISIBLE MOUNT FOR iPad MINI™ 4 - SOLID S.” - Product description:

The “INVISIBLE MOUNT FOR iPad MINI™ 4 - SOLID S.” is an adapter for in-wall flush installation of iPad MINI™ 4.

The “INVISIBLE MOUNT FOR iPad MINI™ 4 - SOLID S.” securely mounts the iPad MINI™ 4 while allowing easy insertion, removal and operation.

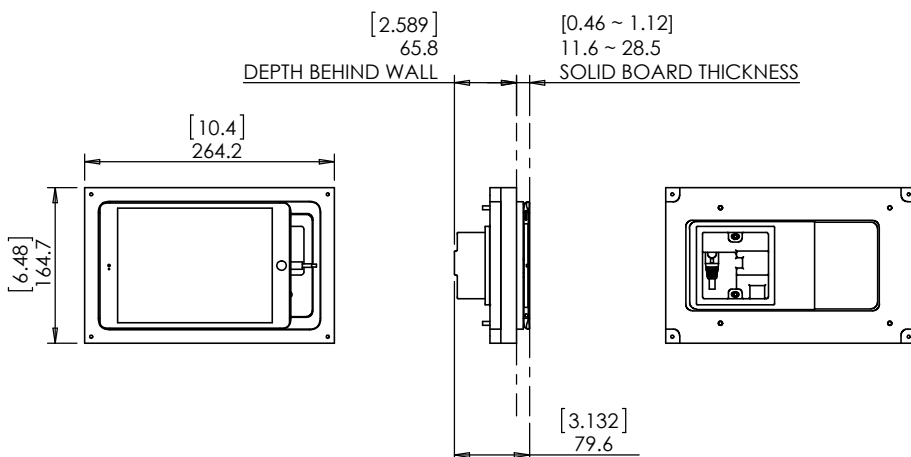
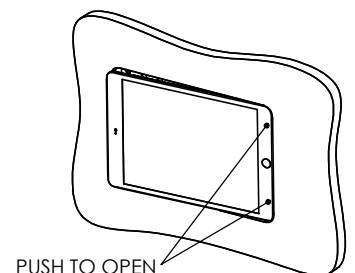
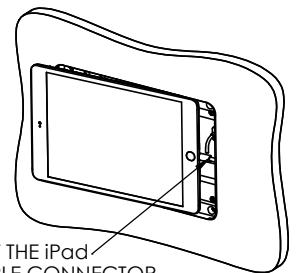
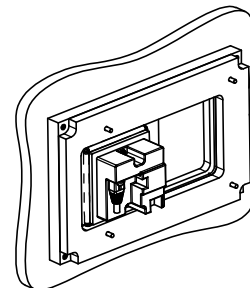
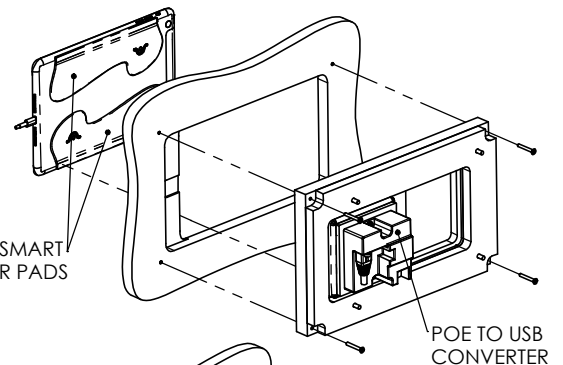
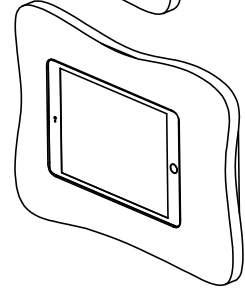
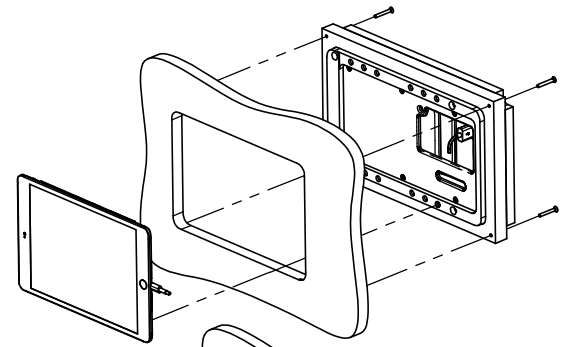
Key features and benefits:

- Flush with the solid surface wall.
- Wall mount may be mounted in any orientation.
- The iPad home button remains accessible.
- Allows easy insertion and removal of the iPad.
- Wall mount contains depth calibration screws allowing installation in solid surface boards of 11.6 [0.46"] up to 28.5 [1.12"] thickness.
- See page 2 for routing dimensions. Contact Wall-Smart for routing DXF file.
- Designed for the use with iPad MINI™ 4 (by Apple) (iPad is not included).
- Adapter kit contains:
 1. (X1) Wall adapter;
 2. (X2) Wall-Smart rubber pads;
 3. (X1) Wall-Smart Pad Positioning Template

Key properties:

- Dimensions: (W/H/D): 264.2mm (10.4")/ 164.7mm (6.48")/ 49.6mm (3.132")
- Power Supply: Wall mount includes POE to USB converter.
The installer should connect the wall mount to an IEEE 802.3af POE power source via CAT5/6 cable and RJ45 connector
- Weight: 1.1Kg, 2.42lbs.
- Material: Moisture resistant MDF

iPad® is a trademark of Apple Inc., registered in the U.S. and other countries.





Model: INVISIBLE MOUNT FOR iPad MINI4 - SOLID S.

Family: WALL-SMART

DWG NO. 10-01-300-SPC

Model No.: 10-01-300

PRODUCT SPEC.

REVISION B

DATE 11/MAY/2016



MARK SCREW POINTS

7.500

[0.394]
R10 TYP

CUTOUT ROUTING TEMPLATE

VIEW FROM INNER SIDE OF SOLID BOARD

SCALE 1:1

CONTACT WALL-SMART FOR DXF FILE

[9.849]
250.16

[8.038 -0.008]
+0.012
+0.3
204.2 -0.2 ROUTE THRU

[5.343 +0.012 -0.008]
+0.3
135.7 -0.2 ROUTE THRU

[0.79 ±0.02]
20 ±0.5
ROUTE TO DEPTH
1mm FROM FRONT
SURFACE

[0.98 ±0.02]
25 ±0.5
ROUTE TO DEPTH
1mm FROM FRONT
SURFACE

[9.26 ±0.02]
235.16 ±0.5
ROUTE TO DEPTH
3mm FROM FRONT
SURFACE

[5.933]
150.7



Model: INVISIBLE MOUNT FOR iPad MINI4 - SOLID S.

Family: WALL-SMART

DWG NO. 10-01-300-SPC



Model No.: 10-01-300

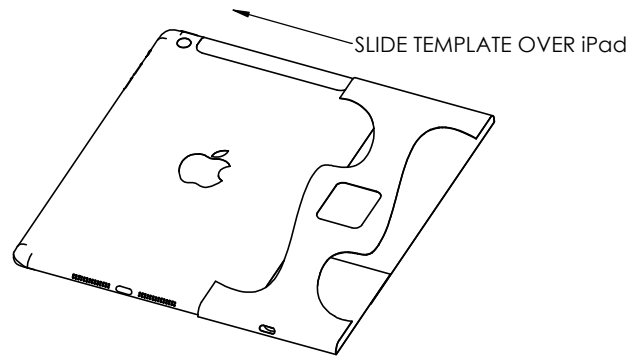
PRODUCT SPEC.

REVISION B

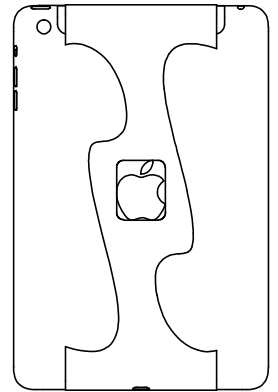
DATE 11/MAY/2016

Wall-Smart rubber pads installation:

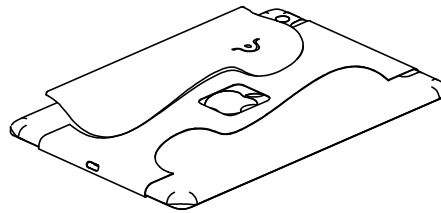
1. Clean iPads back surface.
2. Slide template onto iPad.



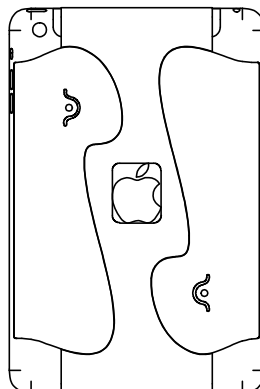
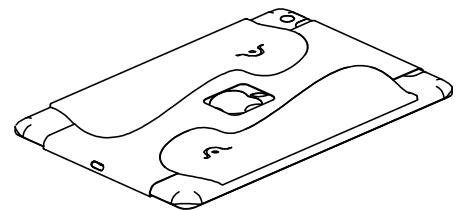
3. Align template cutouts with Apple logo, home button and connector socket.



4. Remove protective tape of a rubber pad back adhesive.
5. Align rubber pad to template while maintaining the position of the template.
6. Adhere the rubber pad to the iPad gradually from template to the iPad edge



7. Press down from the center of the rubber pad and towards the pad edges to remove air bubbles.
8. Push down the edges of the rubber pad to close all gaps.
9. Repeat steps 4-8 for the second rubber pad.
10. Remove the template and wait 6mins before mounting.





Model: INVISIBLE MOUNT FOR iPad MINI4 - SOLID S.

Family: WALL-SMART

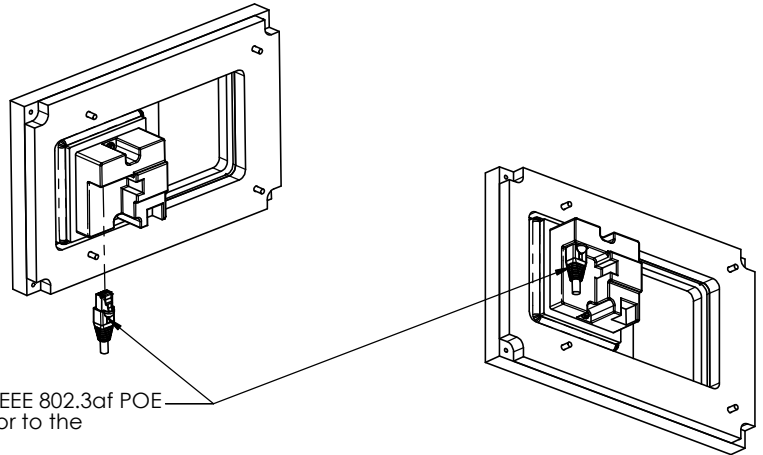
DWG NO. 10-01-300-SPC

Model No.: 10-01-300

PRODUCT SPEC.

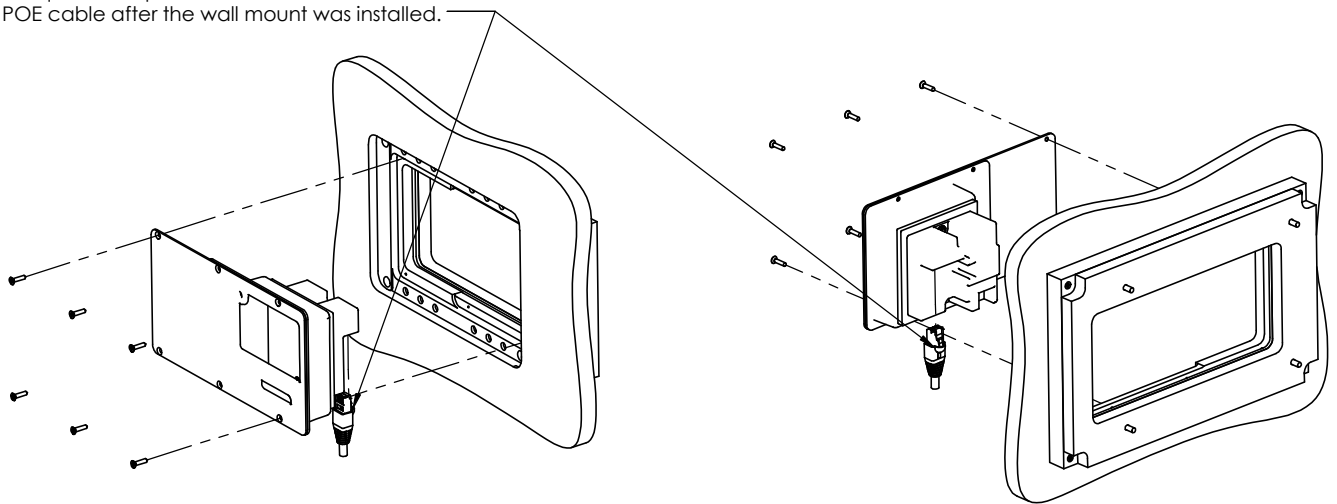
REVISION B

DATE 11/MAY/2016



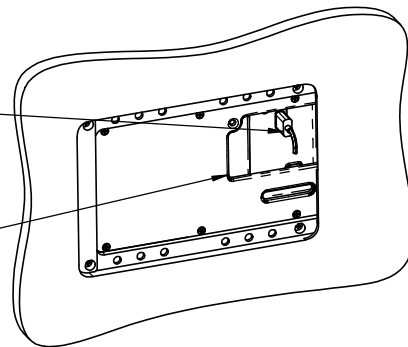
Before installation of the wall mount, connect a 48V IEEE 802.3af POE power source via a CAT5/6 cable and RJ45 connector to the POE to USB converter.

If required, it is possible to unscrew 6 screws, remove the back wall and connect POE cable after the wall mount was installed.



Connect iPad USB cable to POE to USB converter

Organize the cable in the cable tray



Connect lightning connector to the iPad and insert iPad

